



RF Components

Model Number:
A-LNABX-363009

Low Noise Amplifier

50 - 1000 MHz

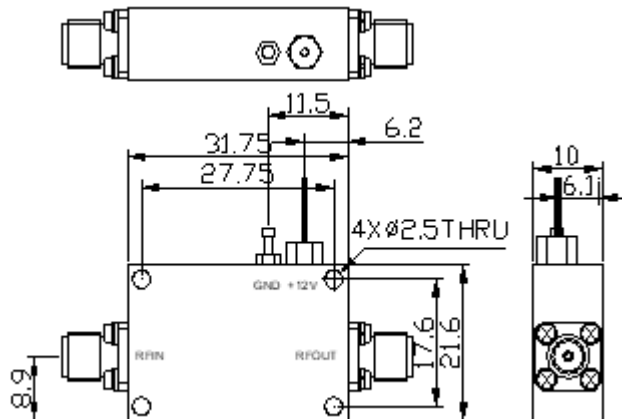
Description

- 50 Ω SMA RF Connectors
- +20V max

Specifications		
Frequency (MHz)	50 - 1000 MHz	
	Min	Typical
Gain (dB)	17	20
Gain Flatness (dB)	±1.0	
P1dB (dBm)	+17	
Output 3rd Intercept Point (OIP3)	28	32
Noise Figure (dB)		0.8
Input VSWR		1.5
Output VSWR		1.5
Power	5V	12V
Operating Temperature	-40°C to +70°C	
<small>* All data presented is collected from a sample lot. Actual data may vary unit to unit All testing was performed under +25°C case temperature.</small>		

Amplifier

Physical Dimensions - Inches [mm]



Broadcast



Marine Oil & Gas



SNG & VSAT



Satellite Teleport

