



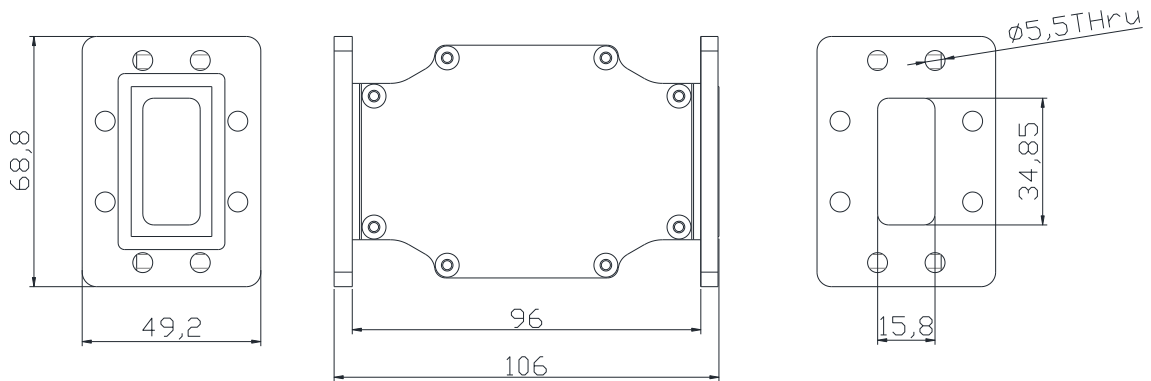
Model Number:
F-WGC2-714180

RF Components

C-Band Waveguide Filter

6155-6245MHz

Physical Dimensions ($\pm 0.3\text{mm}$)



Filter

RF Parameters	
F-WGC2-714180	CGCF
Connectors	CPR137F/ CPR137G
Band Pass Frequencies	6155-6245 MHz
Rejection	$\geq 70\text{dB}$ @ 5930-6020 MHz $\geq 70\text{dB}$ @ 6380-6470 MHz
Insertion Loss	$\leq 1\text{dB}$
Return Loss	$\geq 22\text{dB}$
Flatness	$\leq 0.25\text{dB}$ @ 6180-6220 MHz
Group Delay	$\leq 13\text{ns}$ @ 6180-6220 MHz
Group Delay Variation	$\leq 2\text{ns}$ @ 6180-6220 MHz

Environmental	
Operating Temperature	-40 °C to +45°C
Location	For Indoor or Outdoor use
IP Rating	IP66
Power Handling	50W

Broadcast



Marine Oil & Gas



SNG & VSAT



Satellite Teleport

