

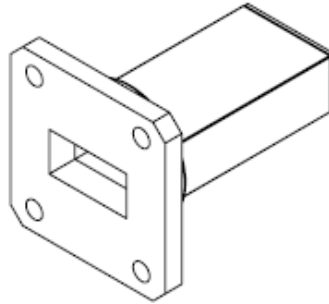


Model Number:  
**WGLB-XXXX-197143**

RF Components

# Ka-Band Waveguide Termination/Load

22 - 33 GHz



Specification	
WGLB-XXXX-197143-XX	
Waveguide Size	WG21/ WR34/ R260
Power	1 to 550 W
Frequency	22 - 33 GHz
VSWR	1.1:1 max.
Waveguide Flanges	PBR / UBR / CBR / UG Seal / UG Plain / UG Choke
Material	Brass
Finish	Black Paint
Length	75mm

Model Numbers				
Example: WGLB-0005-197143-PB				
WGL	B	0005	197143	PB
Waveguide Load	B- Brass A - Aluminium	Power (W)	Model Number	Flange 1

## Broadcast



## Marine Oil & Gas



## SNG & VSAT



## Satellite Teleport

