

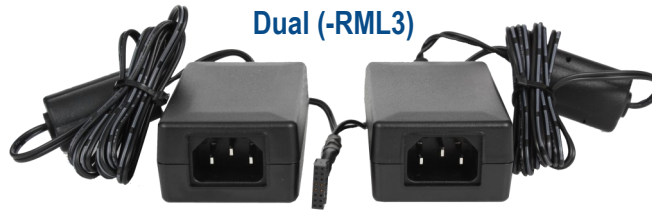


# Switch Mode Power Supply

For use with ETL RF over fibre 400 series modules



**Single (-ML3)**

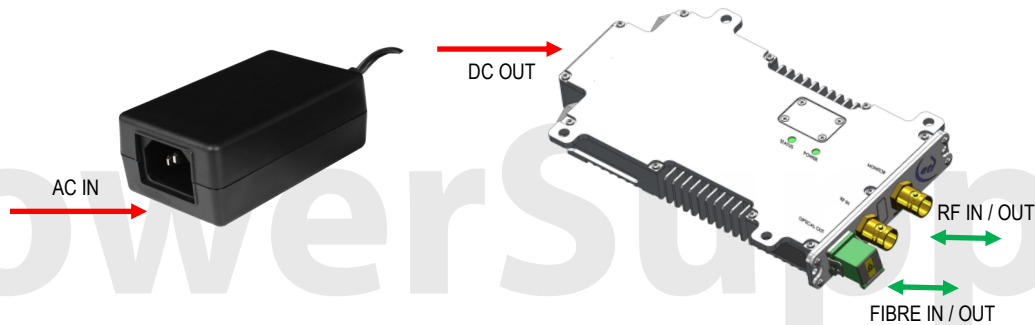


**Dual (-RML3)**

Input range of 100-240V (AC) & fixed output of 12V with 1.25A max permissible load should be 2A.. Supplied with IEC input & 16 pin molex connector.

- Over-output voltage protection— unit powers down if output exceeds 15-18V
- Short circuit protection - unit powers down & restarts if short circuited
- EN55022B standard, CE & CUL marked, lead-free
- Can power multiple units up to 1.25A max current

## Typical Application



### Specifications and max operating parameters for safe and reliable operation

Parameter	Value	Comment
Input voltage range	100-240V (AC)	47-63Hz AC range (90-264V max)
Max input current	580mA	RMS Max
Max current load	2 A	
Operating temperature	0 to 40°C	Indoor use only
Storage Temperature	-20°C to +80°C	
Humidity	85%	Non-condensing

### Broadcast



### Marine Oil & Gas



### SNG & VSAT



### Satellite Teleport





**Technical specifications and operating parameters**

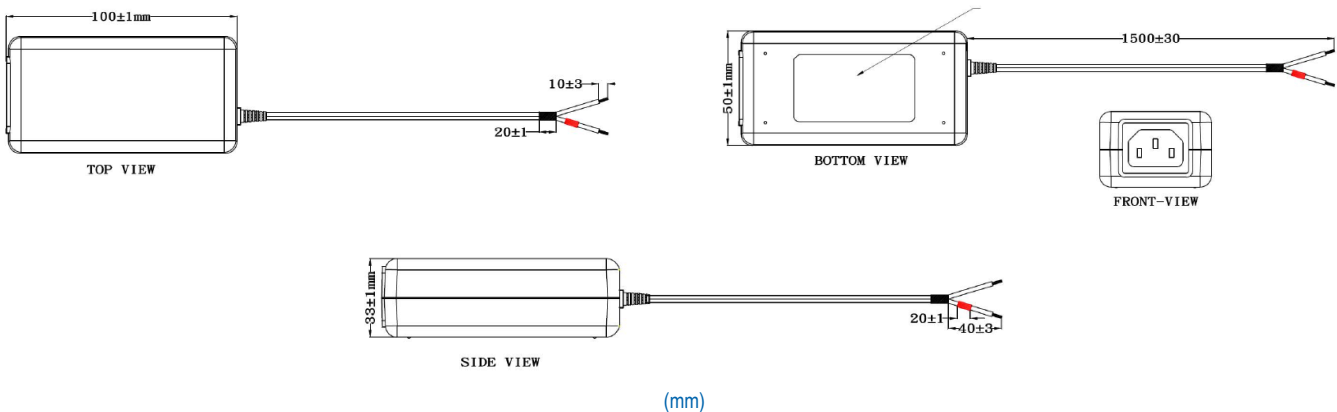
PSU range available			
Model Number	Input	Output	Other
PSU12F125-9701-SLP	100-240V (AC), 0.6 A	12V (DC), 1.25 A	Solder pin output (Red sleeve = Positive)
PSU12F125-9701-ML2	100-240V (AC), 0.6 A	12V (DC), 1.25 A	Female 3 pin Molex socket
PSU12F125-9701-ML3	100-240V (AC), 0.6 A	12V (DC), 2 A	Female 16 Pin Molex Socket (For use with 400 series Fibre components only)
PSU12F125-9701-RML3	100-240V (AC), 0.6 A	12V (DC), 2 A	Dual redundant PSU option with 2 PSU's configured to 1 Female 16 Pin Molex Socket (For use with 400 series Fibre components only)

Environmental	
Operating Temperature	0°C to 45°C
Storage Temperature	-20°C to +75°C
Location	Indoor use Only
Humidity	85% non-condensing
Altitude	10,000 feet

Max Operating Parameters	
Input RF Power	+21 dBm (125mW)
DC Voltage	35V on any RF port
DC Current	500mA
DC Consumption	100mA Max, 80mA typical

**!** Operation beyond these limits may cause instantaneous and permanent damage.

**Physical Dimensions**



Note 1: The specification is subject to regular reviews and will be updated from time to time as part of our continuing product development and improved spec accuracy.  
 Note 2: Operation beyond the quoted limits stated above may cause instantaneous and permanent damage.

