



RF Components

Model Number:  
**SRY-PS-24-941**

# Weatherproof 24V Power Supply



⚡ 24V DC powering



- IP65 power unit.
  - Fitted with Lemo Connector FGL.1K.302.CLLK75Z for DC
  - Bare Wires on AC end
  - High Efficiency
- Intended for use with ETL's outdoor units e.g. model SRY-TX-L1-931

**Compact & Weatherproof**  
IP65 rated

# Power Supply

## Features

- Over-Voltage output protection – Latch mode. The power supply shall return to normal operation only after the power is turned on again.
- Over Current Protection— Hiccup mode. The power supply shall be self recovery when the fault condition is removed.
- Over temperature Protection - 110C component ratings
- Short Circuit Protection - Unit powers down and the power supply shall be self recovery when the fault condition is removed.

Parameter	Specification	Comments
AC Input	90-305 VAC, 47/63Hz	Min / Max
AC input connection	NC – No connector, supplied with 2m cable with wire ends. Must be installed in accordance with local regulations by qualified personnel.	
Output Voltage (V)	24V	±5%
Continuous O/P current (A)	4	
Max. Output Current (A)	6.25	Protected at 95-110%
24V Power Connector	1K - LEMO FGL.1K.302.CLLK75Z	LEMO 1K series, male plug with 2 female contacts
MTBF (hours)	>260,900 Hrs	Measured at 110Vac input, 80%Load and 25°C ambient temperature (MIL-HDBK-217F)
Weight	~ 1 KG	approx.

### Notes & Warnings.

**Note-1:** Typical parameters are guide figures and measured data may deviate from the quoted figures. ETL endeavours to exceed the quoted typical parameters where practically possible.

**Note-2:** Operation beyond the quoted limits stated above may cause instantaneous and permanent damage. For reliable long term operation do not exceed the parameters given in above.

**Note-3:** The spec table is subject to regular reviews and will be updated from time to time as part of our continuing product development and improved spec accuracy.

## Broadcast



## Marine Oil & Gas



## SNG & VSAT



## Satellite Teleport





RF Components

Model Number:  
**SRY-PS-24-941**

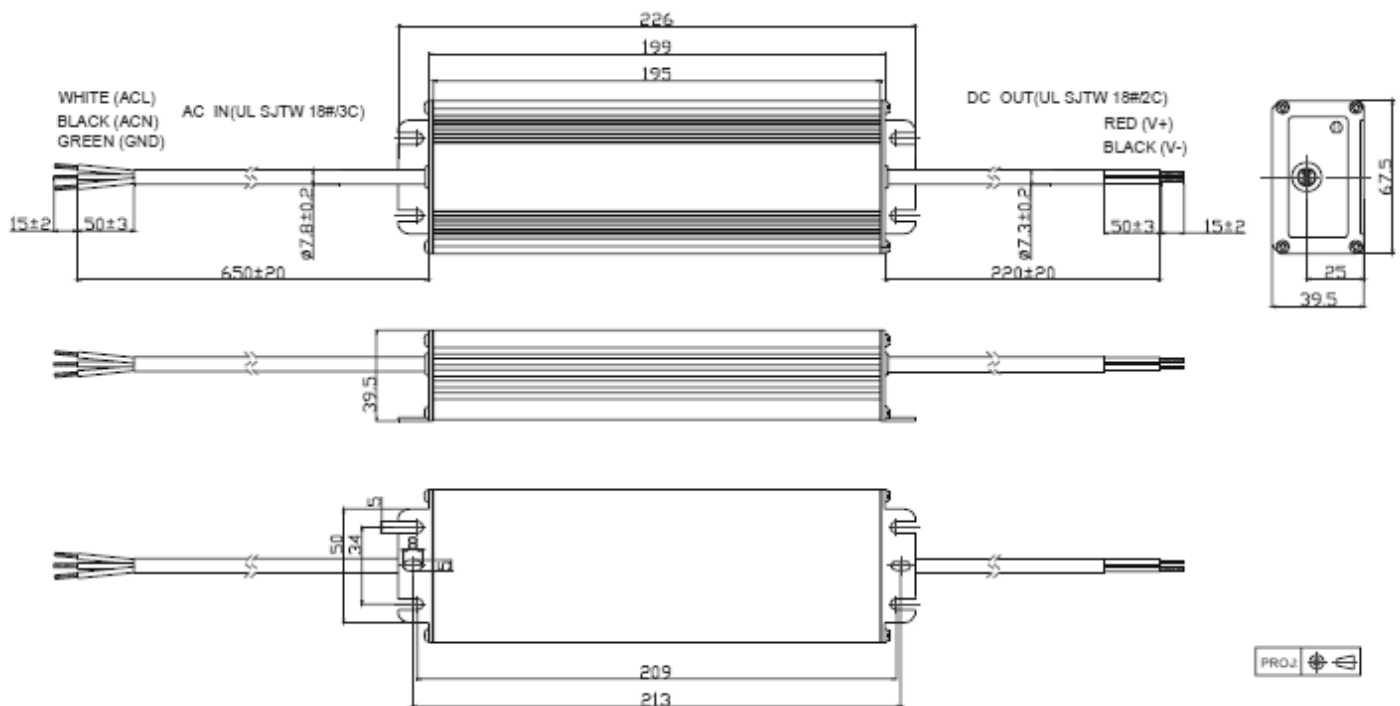
Weatherproof 24V Power Supply

### Technical specifications and operating parameters

Environmental		
Operating Temperature		-35°C to +70°C
Storage Temperature		-40°C to +85°C
Location		Indoor or Outdoor to IP65
Humidity	Max	20 – 95% Relative Humidity
Altitude	Max	10,000 feet

**!** Operation beyond these limits may cause instantaneous and permanent damage.

### Physical Dimensions (mm)



- Note:
1. The specification is subject to regular reviews and will be updated from time to time as part of our continuing product development and improved specification accuracy.
  2. Complies to Safety Standards EN61347-1, EN61347-2-13, EN55015, EN61000-3-2, EN61000-3-3, EN61000-4-2, EN61000-4-2, EN61000-4-5, EN61000-4-6, EN61000-4-8, EN61000-4-11, EN61547.

ETL SYSTEMS LIMITED  
Coldwell Radio Station  
Madley  
Hereford  
England HR2 9NE

TELEPHONE  
+44 (0)1981 259020  
  
EMAIL  
info@etlsystems.com

FACSIMILE  
+44 (0)1981 259021  
  
WEB  
www.etlsystems.com

