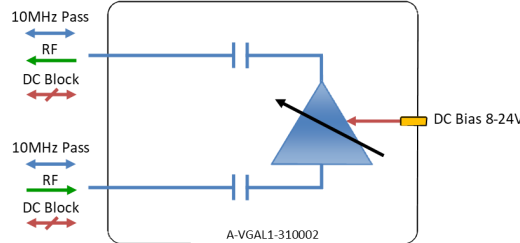


L-Band Smart Amplifier

850 - 2150 MHz



- 10 MHz pass
- DC blocked
- 0.5dB Gain Steps

Available with RF connector options:

- 50 Ω SMA
- 50 Ω N-type
- 50 Ω BNC
- 75 Ω BNC
- 75 Ω F-type.



850-2150 MHz
Operating frequency range. L-Band ready



Compact
Housed in rugged compact enclosure



Variable gain & slope compensation to balance input signals



Remote control & monitoring via Serial RS 485 port

RF Parameters					
A-VGAL1-310002-XXXX	S5S5	N5N5	B5B5	B7B7	F7F7
Frequency Range	850 - 2150 MHz				
RF Connectors	50 Ω SMA	50 Ω N-Type	50 Ω BNC	75 Ω BNC	75 Ω F-Type
Gain (dB)	0 - 30	0 - 30	0 - 30	0 - 30	0 - 30
Gain vs Freq. variation (dB)	Typ.	± 0.75	± 0.75	± 0.8	± 1.0
	Max	± 1.5	± 1.5	± 1.8	± 2.0
Input Return Loss (dB)	Typ.	18	18	14	14
	Min	15	15	12	10
***Output Return Loss (dB)	Typ.	18	18	14	14
	Min	15	15	12	10
Output P1dB GCP** (dBm)	Typ.	15	15	15	15
	Min	13	13	13	13
Output IP3 (dBm)	Typ.	25	25	25	25
Noise Figure (dB)*	Typ.	9	9	9	9

*** Output return loss for Slope >4 dB 13 dB min
 **Gain Compression Point (Output)
 *Noise Figure @ Max Gain

Broadcast



Marine Oil & Gas



SNG & VSAT



Satellite Teleport



Technical specifications and operating parameters

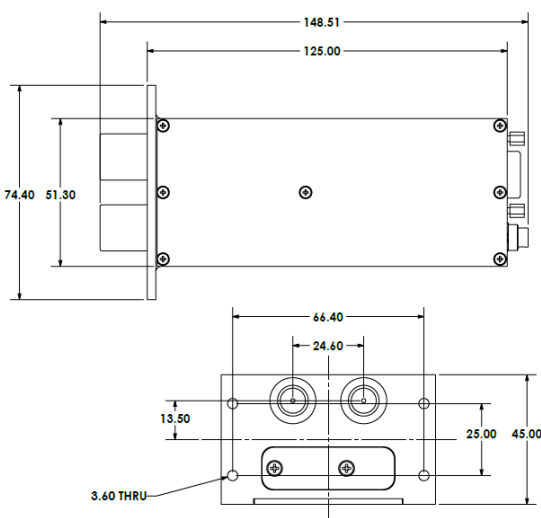


Environmental	
Operating Temperature	0°C to +55°C
Storage Temperature	-20°C to +75°C
Location	Indoor use Only
Humidity	Max 85% non-condensing
Altitude	Max 10,000 feet

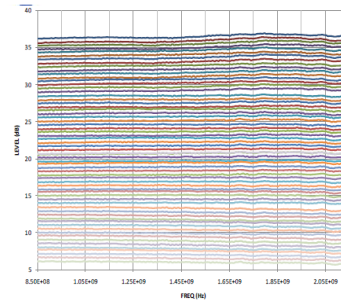
Max Operating Parameters	
Input RF Power	+24dBm
DC Voltage	28V on all RF ports
DC Consumption	350mA Max / 250mA Typ

! Operation beyond these limits may cause instantaneous and permanent damage.

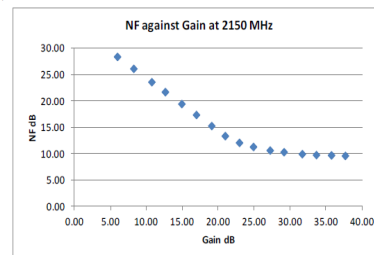
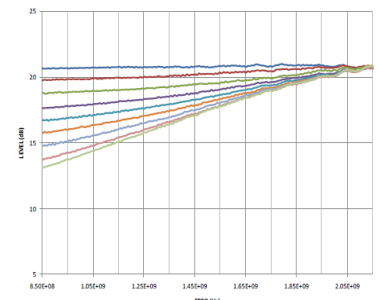
Physical Dimensions (mm)



Gain Control Characteristics



Slope Control Characteristics



Note: The specification is subject to regular reviews and will be updated from time to time as part of our continuing product development and improved specification accuracy.

Note: The specification is subject to regular reviews and will be updated from time to time as part of our continuing product development and improved specification accuracy.