

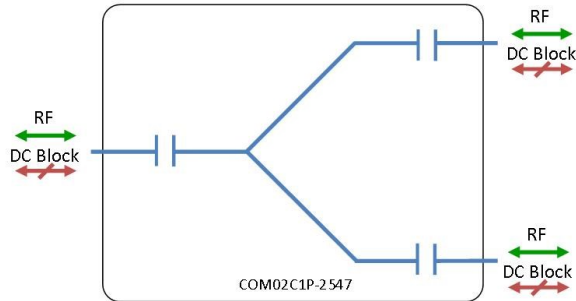


RF Components

Model Number:
COM02C1P-2547

2-Way Passive C-Band Splitter/Combiner

3.4-4.2 GHz



- All RF ports DC blocked

Available with RF connector options:

- 50 Ω SMA
- 50 Ω N-type



3.4-4.2 GHz

Operating frequency range. C-Band ready



Compact

Housed in rugged compact enclosure

Flexible Mounting

Tapped screw & through hole mounting options

Passive

RF Parameters		
COM02C1P-2547-XXXX	S5S5	N5N5
Frequency Range	3.4-4.2 GHz	
RF Connectors	50Ω SMA	50Ω N-Type
Mean Insertion Loss (dB)	0.6±0.3	0.6±0.3
Flatness ± (dB)	0.35	0.35
Input Return Loss (dB)	Typ.	16
	Min	12
Output Return Loss (dB)	Typ.	20
	Min	15
Isolation (dB)	Typ.	18
Amplitude Balance (dB)	≤0.5	≤0.5
Phase Balance (Φ)	≤5°	≤5°
The given Insertion Loss specified is the loss above the theoretical limit for a lossless divider		

Broadcast



Marine Oil & Gas



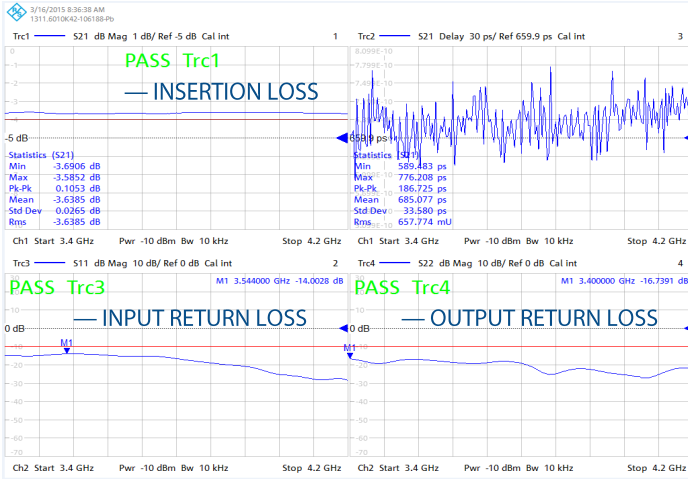
SNG & VSAT



Satellite Teleport



Technical specifications and operating parameters

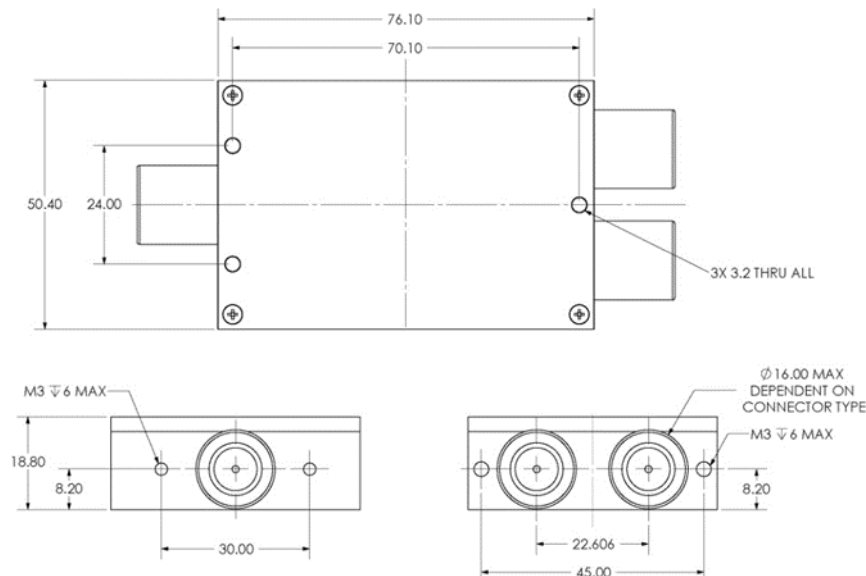


Environmental	
Operating Temperature	0°C to +45°C
Storage Temperature	-20°C to +75°C
Location	Indoor use Only
Humidity	Max. 85% non-condensing
Altitude	Max. 10,000 feet

Max Operating Parameters	
Input RF Power into matched load with 20dB return loss	+27dBm (500mW) as combiner +37dBm (5W) as splitter
DC Voltage	35V on any RF port
DC Current	N/A
DC Consumption	N/A

! Operation beyond these limits may cause instantaneous and permanent damage.

Physical Dimensions (mm)



Note: The specification is subject to regular reviews and will be updated from time to time as part of our continuing product development and improved specification accuracy.