

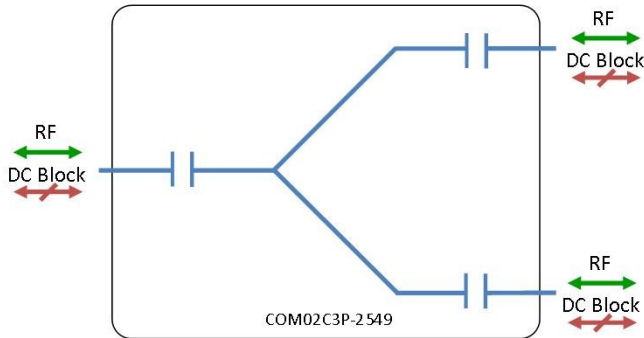


RF Components

Model Number:  
**COM02C3P-2549**

## 2-Way Passive C-Band Splitter/Combiner

**3.4-6.5 GHz**



- All RF ports DC blocked

Available with RF connector options:

- 50  $\Omega$  SMA
- 50  $\Omega$  N-type



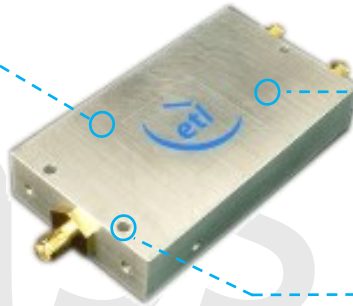
**3.4-6.5 GHz**  
Operating frequency range. C-Band ready



**Compact**  
Housed in rugged compact enclosure



**Flexible Mounting**  
Tapped screw & through hole mounting options



Passive

RF Parameters		
COM02C3P-2549-XXXX	S5S5	N5N5
Frequency Range	3.4-6.5 GHz	
RF Connectors	50 $\Omega$ SMA	50 $\Omega$ N-Type
Mean Insertion Loss (dB)	0.6 $\pm$ 0.3	0.6 $\pm$ 0.3
Flatness $\pm$ (dB)	0.8	0.8
Input Return Loss (dB)	Typ.	18
	Min	9
Output Return Loss (dB)	Typ.	18
	Min	9
Isolation (dB)	Typ.	15
Amplitude Balance (dB)	$\leq$ 0.5	$\leq$ 0.5
Phase Balance ( $\Phi$ )	$\leq$ 5 $^\circ$	$\leq$ 5 $^\circ$
The given Insertion Loss specified is the loss above the theoretical limit for a lossless divider		

### Broadcast



### Marine Oil & Gas



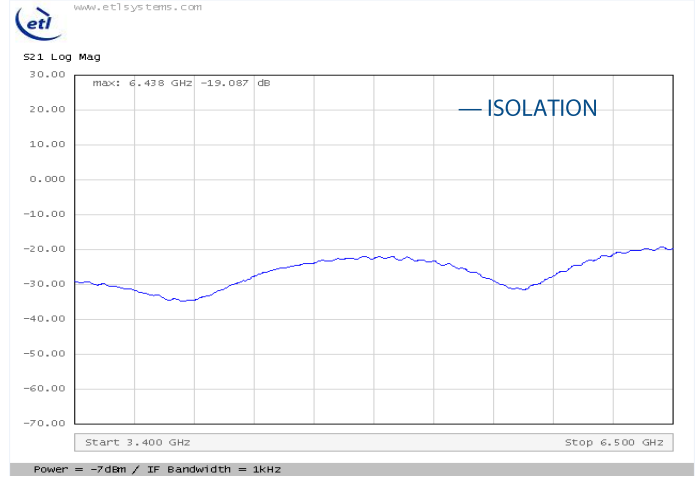
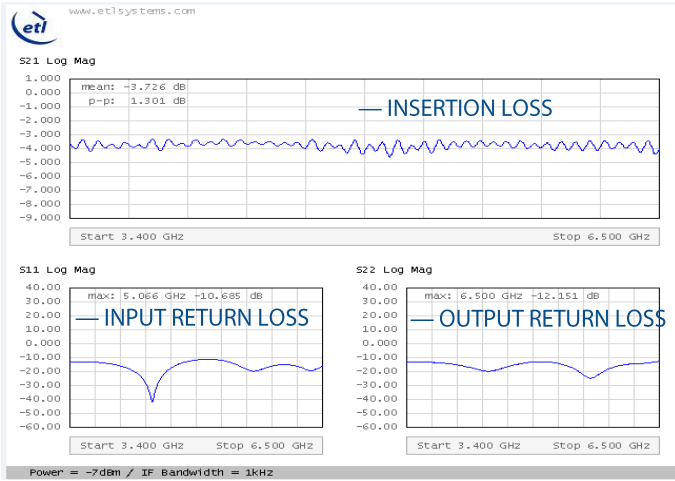
### SNG & VSAT



### Satellite Teleport



### Technical specifications and operating parameters

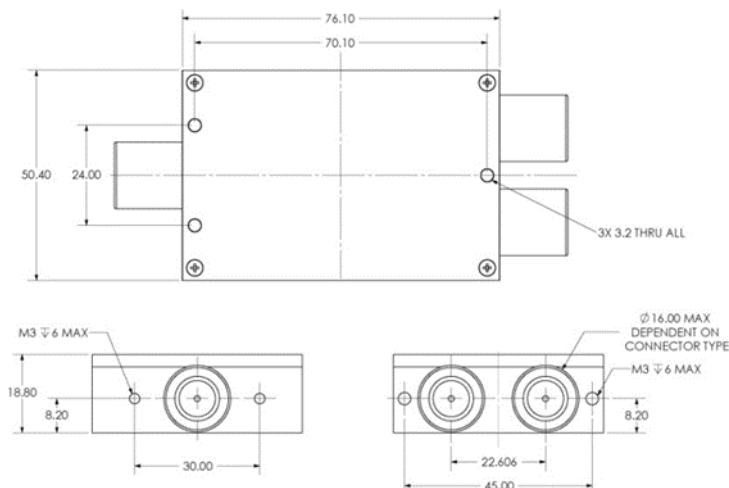


Environmental	
Operating Temperature	0°C to +45°C
Storage Temperature	-20°C to +75°C
Location	Indoor use Only
Humidity	Max. 85% non-condensing
Altitude	Max. 10,000 feet

Max Operating Parameters	
Input RF Power	+37 dBm (5W) as splitter +27 dBm (500mW) as combiner
DC Voltage	35V on any RF port
DC Current	N/A
DC Consumption	N/A

**!** Operation beyond these limits may cause instantaneous and permanent damage.

### Physical Dimensions (mm)



Note: The specification is subject to regular reviews and will be updated from time to time as part of our continuing product development and improved specification accuracy.