

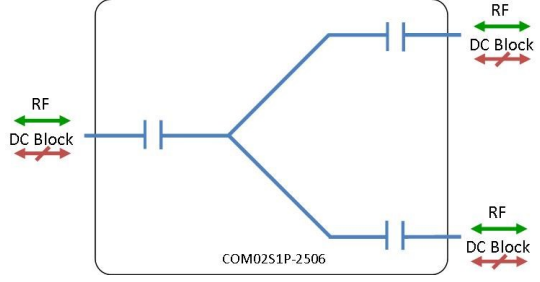


RF Components

Model Number:
COM02S1P-2506

2-Way S-Band Passive Splitter/Combiner

500 - 2750 MHz



- All ports DC Blocked
- Available with RF connector options:
- 50 Ω SMA
 - 50 Ω N-type
 - 50 Ω BNC

500 - 2750 MHz
Operating frequency range. S-Band ready



Compact
Housed in rugged compact enclosure

Flexible Mounting
Tapped screw & through hole mounting options

Passive

RF Parameters			
COM02S1P-2506-XXXX	S5S5	N5N5	B5B5
Frequency Range	500-2750 MHz		
RF Connectors	50Ω SMA	50Ω N-Type	50Ω BNC
Mean Insertion Loss (dB)	0.5±0.3	0.5±0.3	0.5±0.3
Flatness ± (dB)	0.55	0.55	0.55
Input Return Loss (dB)	Typ.	16	16
	Min	12	12
Output Return Loss (dB)	Typ.	18	18
	Min	12	12
Isolation (dB)	Typ.	12	12
Amplitude Balance (dB)	≤2	≤2	≤2
Phase Balance (Φ)	≤0.2°	≤0.2°	≤0.2°

The given Insertion Loss specified is the loss above the theoretical limit for a lossless divider

Broadcast



Marine Oil & Gas



SNG & VSAT



Satellite Teleport



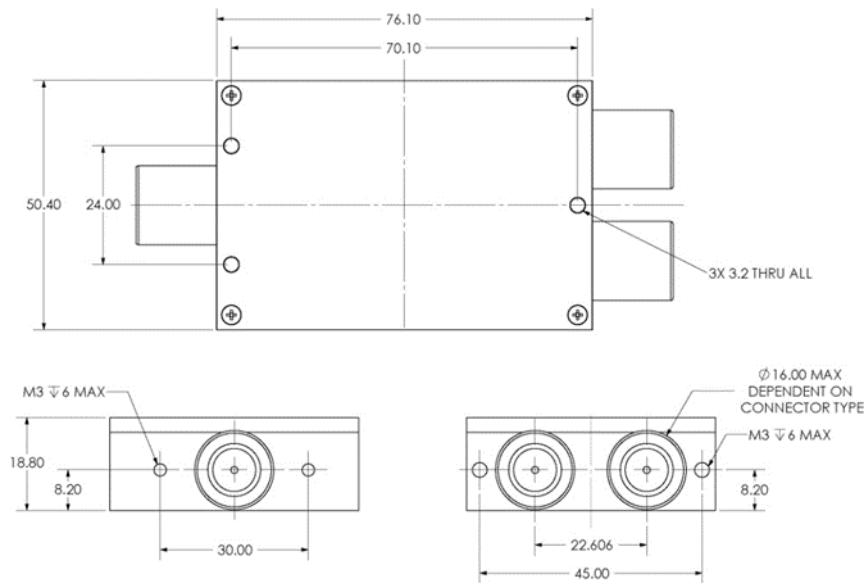
Technical specifications and operating parameters

Environmental		
Operating Temperature		0°C to +45°C
Storage Temperature		-20°C to +75°C
Location		Indoor use Only
Humidity	Max.	85% non-condensing
Altitude	Max.	10,000 feet

Max Operating Parameters	
Input RF Power into matched load with 20dB return loss	+27dBm (500mW) as splitter +21dBm (125mW) as combiner
DC Voltage	35V on any RF port
DC Current	N/A
DC Consumption	N/A

! Operation beyond these limits may cause instantaneous and permanent damage.

Physical Dimensions (mm)



Note: The specification is subject to regular reviews and will be updated from time to time as part of our continuing product development and improved specification accuracy.