

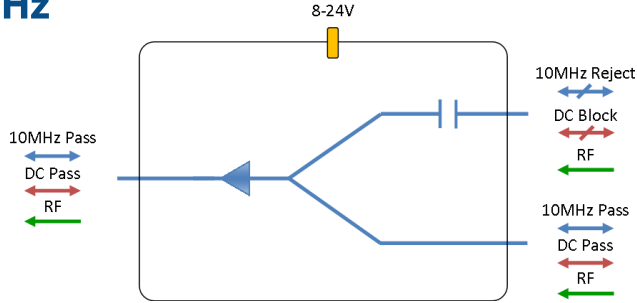


RF Components

2-Way S-Band Active Combiner

850 - 2500 MHz

Model Number:
COM02S2A-2256



- With unity gain & flat frequency response
- 10MHz & DC pass between common port & port 1
- All other ports 10MHz & DC blocked
- Requires 8-24V external DC bias

Available with RF connector options:

- 50 Ω SMA
- 50 Ω N-type

8-18V
External DC
powering

Compact
Housed in
rugged compact
enclosure

**Flexible
Mounting**
Tapped screw &
through hole
mounting options

850-2150 MHz
Operating frequency
range. L-Band ready

| RF Parameters | | | |
|-------------------------|------|----------------|------------|
| COM02S2A-2256 | | S5S5 | N5N5 |
| Frequency Range | | 850 - 2150 MHz | |
| RF Connectors | | 50Ω SMA | 50Ω N-Type |
| Mean Gain (dB) | | 0 ± 2 | 0 ± 2 |
| Input Return Loss (dB) | Typ. | 16 | 15 |
| | Min | 12 | 12 |
| Output Return Loss (dB) | Typ. | 16 | 15 |
| | Min | 12 | 12 |
| Output P1dB GCP** (dBm) | Typ. | 10 | 10 |
| | Min | 7 | 7 |
| Noise Figure (dB) | Typ. | 10 | 10 |

10MHz Rejection is 20dB*
*To ports which are applicable
**GCP (Gain Compression Point)

Broadcast



Marine Oil & Gas



SNG & VSAT



Satellite Teleport

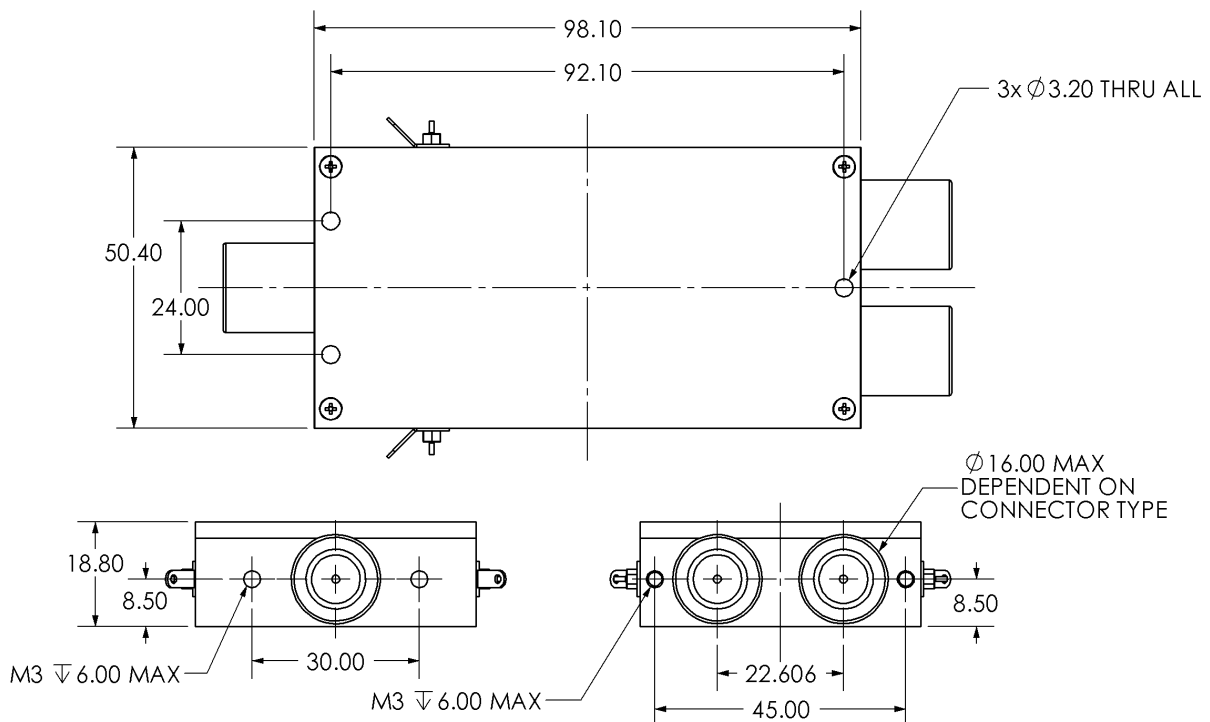


| Environmental | | |
|-----------------------|-----|--------------------|
| Operating Temperature | | 0°C to +45°C |
| Storage Temperature | | -20°C to +75°C |
| Location | | Indoor use Only |
| Humidity | Max | 85% non-condensing |
| Altitude | Max | 10,000 feet |

| Max Operating Parameters | |
|--------------------------|--------------------|
| Input RF Power | +20 dBm |
| DC Voltage | 24V on any RF port |
| DC Current | 3A on any RF port |

! Operation beyond these limits may cause instantaneous and permanent damage.

Physical Dimensions (mm)



Note: The specification is subject to regular reviews and will be updated from time to time as part of our continuing product development and improved specification accuracy.