

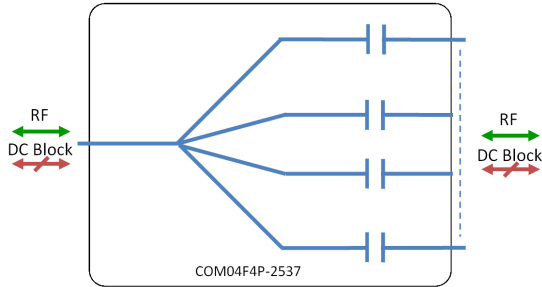


Model Number:
COM04F4P-2537

RF Components

4-Way IF-Band Passive Splitter/Combiner

50 - 1000 MHz



- All RF ports DC blocked

Available with RF connector options:

- 50 Ω SMA
- 50 Ω N-type
- 50 Ω BNC
- 75 Ω BNC
- 75 Ω F-type.



50 - 1000 MHz
Operating frequency range.



Compact
Housed in rugged compact enclosure

Flexible Mounting
Tapped screw & through hole mounting options

Passive

RF Parameters						
COM04F4P-2537-XXXX	S5S5	N5N5	B5B5	B7B7	F7F7	
Frequency Range	50 - 1000 MHz					
RF Connectors	50Ω SMA	50Ω N-Type	50Ω BNC	75Ω BNC	75Ω F-Type	
Mean Insertion Loss (dB)	Typ.	1.0	1.0	1.0	1.2	1.2
	Max	1.4	1.4	1.4	1.8	1.8
Flatness ± (dB)	0.8	0.8	1.0	1.5	1.5	
Input Return Loss (dB)	Typ.	18	18	15	15	15
	Min	12	12	10	8	8
Output Return Loss (dB)	Typ.	22	22	20	15	15
	Min	15	15	12	8	8
Isolation (dB)	Typ.	22	22	22	22	22
	Min	16	16	15	14	14
Amplitude Balance (dB)	≤0.5	≤0.5	≤0.5	≤1.0	≤1.0	
Phase Balance (Φ)	≤4°	≤4°	≤4°	≤10°	≤10°	
The given Insertion Loss specified is the loss above the theoretical limit for a lossless divider						

Broadcast



Marine Oil & Gas



SNG & VSAT



Satellite Teleport



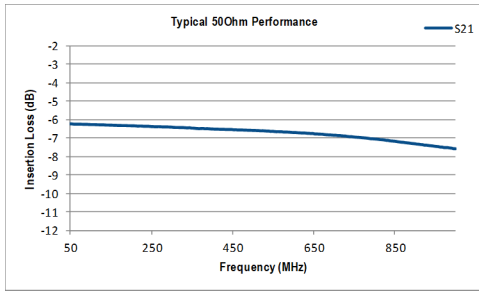


RF Components

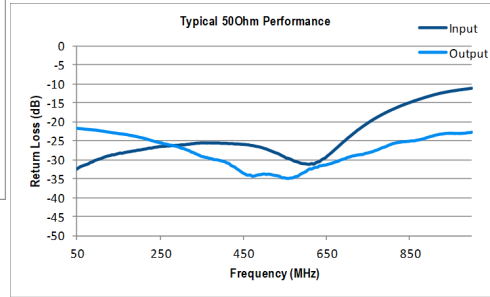
Model Number:
COM04F4P-2537

4-Way IF-Band Passive Splitter/Combiner

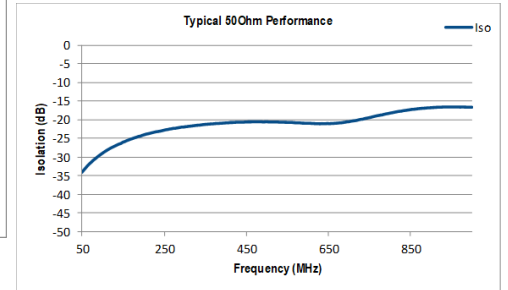
Technical specifications and operating parameters



Insertion Loss (dB)



Return Loss (dB)



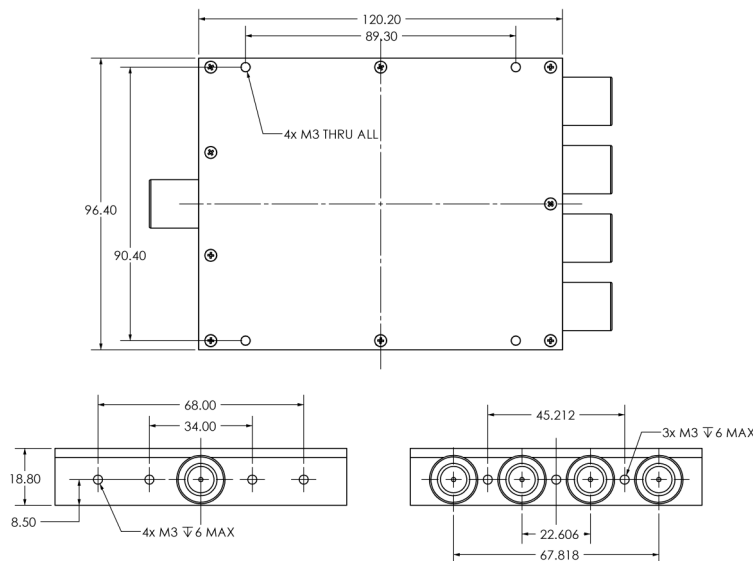
Isolation (dB)

Environmental		
Operating Temperature		0°C to +45°C
Storage Temperature		-20°C to +75°C
Location		Indoor use Only
Humidity	Max.	85% non-condensing
Altitude	Max.	10,000 feet

Max Operating Parameters	
Input RF Power	+27 dBm (0.5W) as splitter
Input RF Power	+21 dBm (0.125W) as combiner
DC Voltage	50V on any RF port
160-250 MHz 1W Max Power	

! Operation beyond these limits may cause instantaneous and permanent damage.

Physical Dimensions (mm)



Note: The specification is subject to regular reviews and will be updated from time to time as part of our continuing product development and improved specification accuracy.

ETL SYSTEMS LIMITED
Coldwell Radio Station
Madley
Hereford
England HR2 9NE

TELEPHONE
+44 (0)1981 259020

EMAIL
info@etlsystems.com

FACSIMILE
+44 (0)1981 259021

WEB
www.etlsystems.com

