

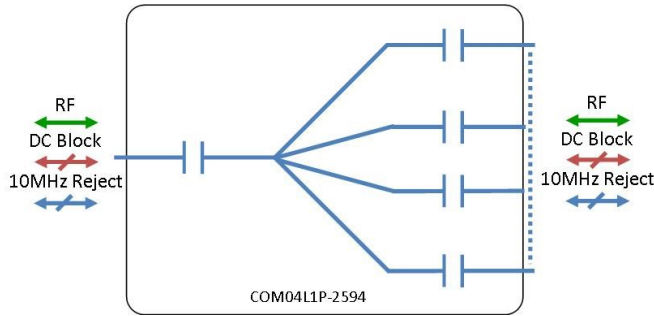


Model Number:
COM04L1P-2594

RF Components

4-Way L-Band Passive Splitter/Combiner

850 - 2150 MHz



- All RF ports 10MHz & DC blocked

Available with RF connector options:

- 50 Ω SMA
- 50 Ω N-type
- 50 Ω BNC
- 75 Ω BNC
- 75 Ω F-type.



850-2150 MHz
Operating frequency range. L-Band ready



Compact
Housed in rugged compact enclosure

Flexible Mounting
Tapped screw & through hole mounting options

| RF Parameters | | | | | |
|--------------------------|----------------|------------|-----------|-----------|------------|
| COM04L1P-2594-XXXX | S5S5 | N5N5 | B5B5 | B7B7 | F7F7 |
| Frequency Range | 850 - 2150 MHz | | | | |
| RF Connectors | 50Ω SMA | 50Ω N-Type | 50Ω BNC | 75Ω BNC | 75Ω F-Type |
| Mean Insertion Loss (dB) | 0.6 ± 0.3 | 0.6 ± 0.3 | 0.6 ± 0.3 | 0.6 ± 0.3 | 0.6 ± 0.3 |
| Flatness ± (dB) | 0.5 | 0.5 | 0.5 | 0.5 | 0.5 |
| Input Return Loss (dB) | Typ. | 20 | 20 | 20 | 20 |
| | Min | 16 | 16 | 16 | 16 |
| Output Return Loss (dB) | Typ. | 20 | 20 | 23 | 23 |
| | Min | 16 | 16 | 16 | 16 |
| Isolation (dB) | Typ. | 28 | 28 | 28 | 28 |
| | Min | 20 | 20 | 20 | 20 |
| Amplitude Balance (dB) | ≤0.5 | ≤0.5 | ≤0.5 | ≤0.5 | ≤0.5 |
| Phase Balance (Φ) | ≤5° | ≤5° | ≤5° | ≤5° | ≤5° |

The given Insertion Loss specified is the loss above the theoretical limit for a lossless divider
 10MHz Insertion Loss is up to 3dB above the theoretical loss*
 10MHz Rejection is 40dB*
 *To ports which are applicable

Broadcast



Marine Oil & Gas



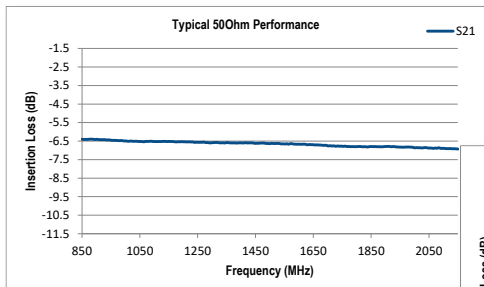
SNG & VSAT



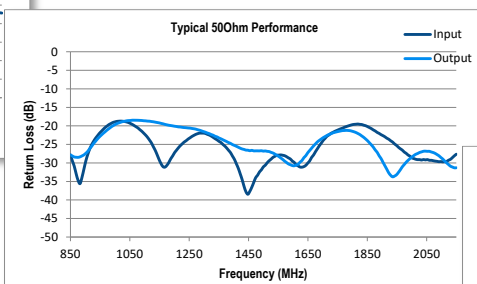
Satellite Teleport



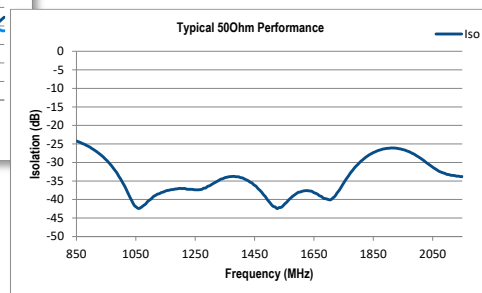
Technical specifications and operating parameters



Insertion Loss



Return Loss



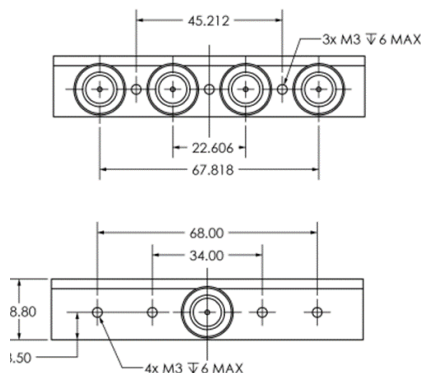
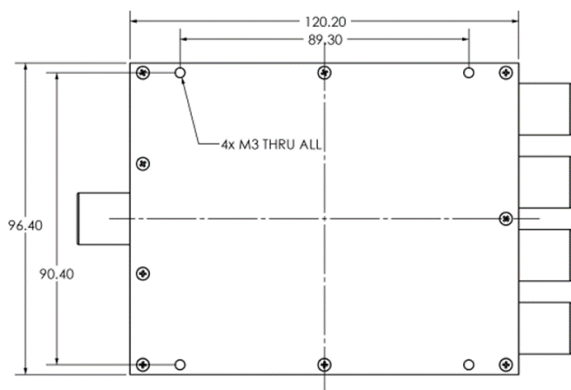
Isolation

| Environmental | |
|-----------------------|--------------------|
| Operating Temperature | -20°C to +55°C |
| Storage Temperature | -20°C to +75°C |
| Location | Indoor use Only |
| Humidity | 85% non-condensing |
| Altitude | 10,000 feet |

| Max Operating Parameters | |
|--|---|
| Input RF Power into matched load with 20dB return loss | +27dBm (500mW) as combiner +37dBm (5W) as splitter |
| DC Voltage | 35V on any RF port |
| DC Current | N/A |
| DC Consumption | N/A |

! Operation beyond these limits may cause instantaneous and permanent damage.

Physical Dimensions (mm)



Note: The specification is subject to regular reviews and will be updated from time to time as part of our continuing product development and improved specification accuracy.