



RF Components

4-Way S-Band Active Combiner

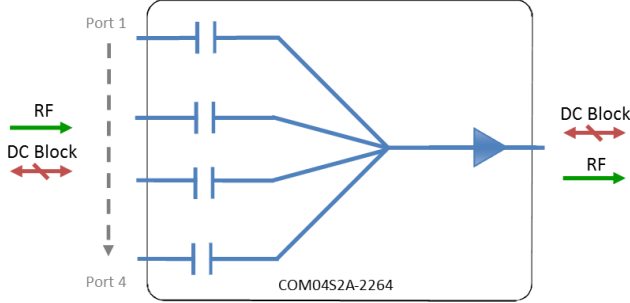
850 - 2500 MHz

Model Number:
COM04S2A-2264

- Unity gain & flat frequency response
- All ports DC blocked
- Requires 8-24V external DC bias

Available with RF connector options:

- 50 Ω SMA
- 50 Ω N-type



Compact

Housed in rugged compact enclosure

Flexible Mounting

Tapped screw & through hole mounting options

850-2500 MHz

Operating frequency range.

RF Parameters		
COM04S2A-2264-XXXX	S5S5	N5N5
Frequency Range	850 - 2500 MHz	
RF Connectors	50Ω SMA	50Ω N-Type
Mean Gain (dB)	0 ±0.50	0 ±0.50
Flatness ± (dB)	0.6	0.6
Input Return Loss (dB)	Typ.	22
	Min	16
Output Return Loss (dB)	Typ.	20
	Min	14
Output P1dB GCP** (dBm)	Typ.	5
	Min	2
Isolation (dB)	Typ.	20
Output IP3(dBm)	Typ.	15
Noise Figure (dB)	Typ.	8
10MHz Rejection is 20dB* *To ports which are applicable **GCP (Gain Compression Point)		

Broadcast



Marine Oil & Gas



SNG & VSAT



Satellite Teleport





RF Components

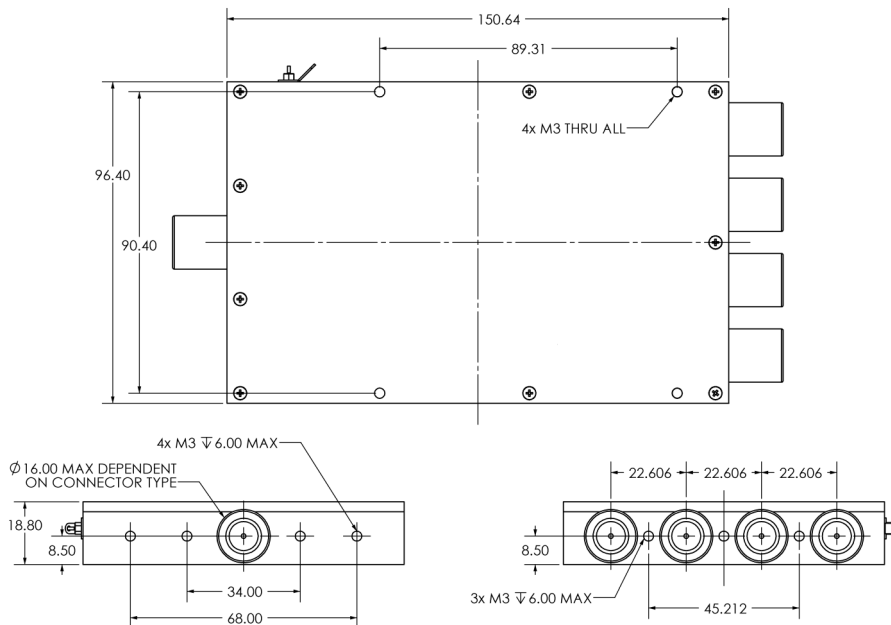
Model Number:
COM04S2A-2264
4-Way S-Band Active Combiner

Environmental		
Operating Temperature		0°C to +45°C
Storage Temperature		-20°C to +75°C
Location		Indoor use Only
Humidity	Max	85% non-condensing
Altitude	Max	10,000 feet

Max Operating Parameters		
Input RF Power		+21 dBm (125mW)
DC Voltage		35V on any RF port
DC Current	Max	500mA
DC Consumption		100mA Max, 80mA typical

! Operation beyond these limits may cause instantaneous and permanent damage.

Physical Dimensions (mm)



Note: The specification is subject to regular reviews and will be updated from time to time as part of our continuing product development and improved specification accuracy.

ETL SYSTEMS LIMITED
Coldwell Radio Station
Madley
Hereford
England HR2 9NE

TELEPHONE
+44 (0)1981 259020

EMAIL
info@etlsystems.com

FACSIMILE
+44 (0)1981 259021

WEB
www.etlsystems.com

