

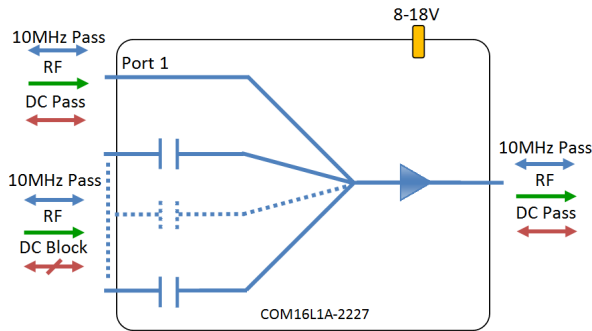


RF Components

# 16-Way L-Band Active Combiner

850 - 2150 MHz

Model Number:  
**COM16L1A-2227**



- Unity gain
- 1 port DC pass
- All other ports DC blocked & 10MHz pass
- Requires 8-18V external DC bias

Available with RF connector options:

- 50 Ω SMA
- 50 Ω N-type
- 50 Ω BNC
- 75 Ω BNC
- 75 Ω F-type

### Compact

Housed in rugged compact enclosure

### Flexible Mounting

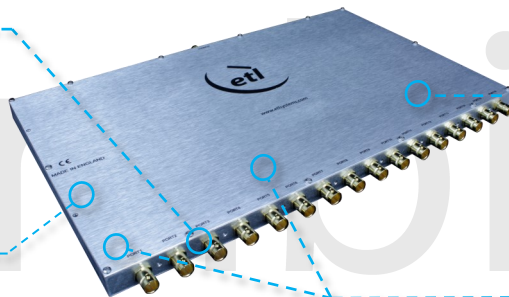
Tapped screw & through hole mounting options

### 8-18V

External DC powering

### 850-2150 MHz

Operating frequency range.



		RF Parameters				
COM16L1A-2227-XXXX		S5S5	N5N5	B5B5	B7B7	F7F7
Frequency Range		850 - 2150 MHz				
RF Connectors		50Ω SMA	50Ω N-Type	50Ω BNC	75Ω BNC	75Ω F-Type
Mean Gain (dB)		0 ± 0.65	0 ± 0.65	0 ± 0.75	0 ± 1.50	0 ± 1.50
Flatness ± (dB)		0.6	0.6	0.6	0.7	1.0
Input Return Loss (dB)	Typ.	22	22	18	15	12
	Min	14	14	12	8	8
Output Return Loss (dB)	Typ.	20	20	18	15	15
	Min	12	12	12	8	8
Output P1dB GCP** (dBm)	Typ.	0	0	0	0	0
	Min	-2	-2	-2	-2	-2
Isolation (dB)	Typ.	26	26	26	26	26
Output IP3(dBm)	Typ.	10	10	10	10	10
Noise Figure (dB)	Typ.	5	5	6	6	6
Amplitude Balance (dB)		≤ 0.8	≤ 0.8	≤ 0.8	≤ 1.0	≤ 1.0
Phase Balance (Φ)		≤ 5°	≤ 5°	≤ 5°	≤ 5°	≤ 5°

\*10MHz insertion loss is up to 6dB above the theoretical loss  
 \*\*To ports which are applicable  
 \*\*GCP (Gain Compression Point)

### Broadcast



### Marine Oil & Gas



### SNG & VSAT



### Satellite Teleport

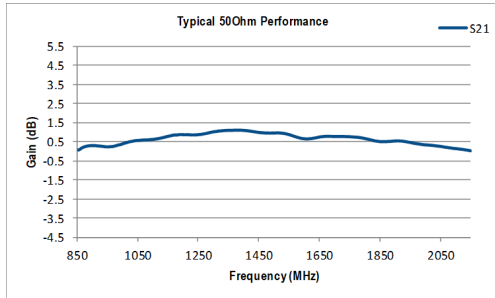




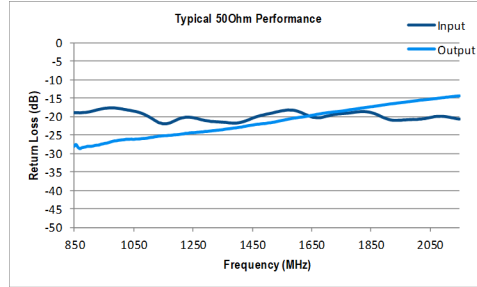
RF Components

Model Number:  
**COM16L1A-2227**  
16-Way L-Band Active Combiner

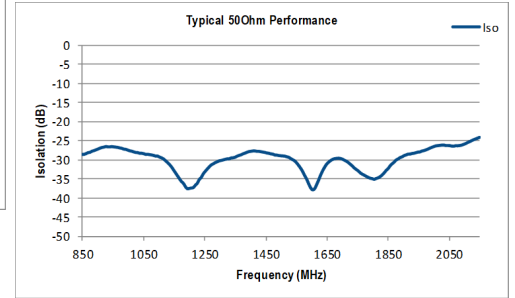
**Technical specifications and operating parameters**



Gain (dB)



Return Loss (dB)



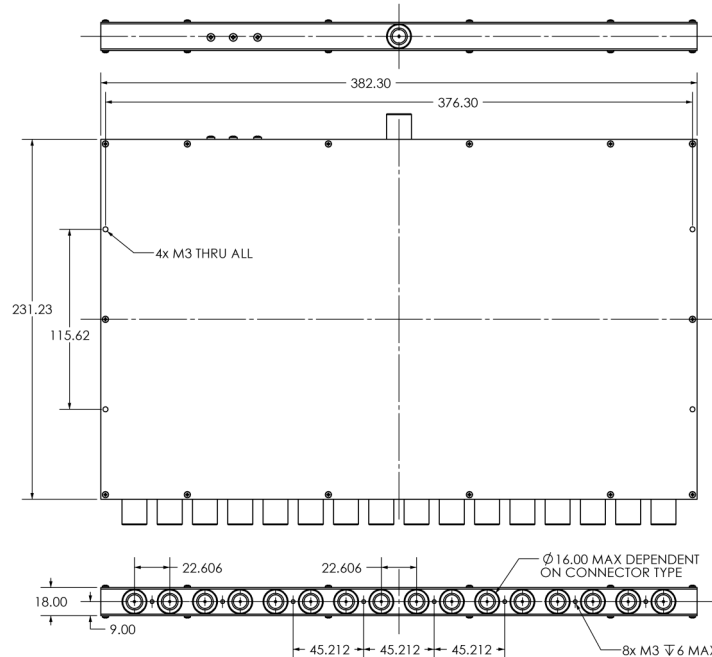
Isolation (dB)

Environmental		
Operating Temperature		0°C to +45°C
Storage Temperature		-20°C to +75°C
Location		Indoor use Only
Humidity	Max	85% non-condensing
Altitude	Max	10,000 feet

Max Operating Parameters		
Input RF Power		+24 dBm (250mW)
DC Voltage		35V on any RF port
DC Current	Max	1.1A Resettable Fuse
DC Consumption		100mA Max typical 80mA

**!** Operation beyond these limits may cause instantaneous and permanent damage.

**Physical Dimensions (mm)**



Note: The specification is subject to regular reviews and will be updated from time to time as part of our continuing product development and improved specification accuracy.

ETL SYSTEMS LIMITED  
Coldwell Radio Station  
Madley  
Hereford  
England HR2 9NE

TELEPHONE  
+44 (0)1981 259020  
  
EMAIL  
info@etlsystems.com

FACSIMILE  
+44 (0)1981 259021  
  
WEB  
www.etlsystems.com

