

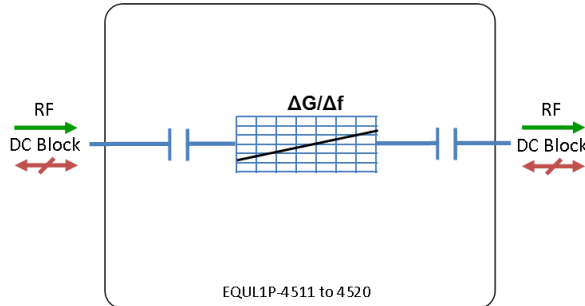


Model Number:
EQUL1P-4514

RF Components

L-band Passive Equaliser

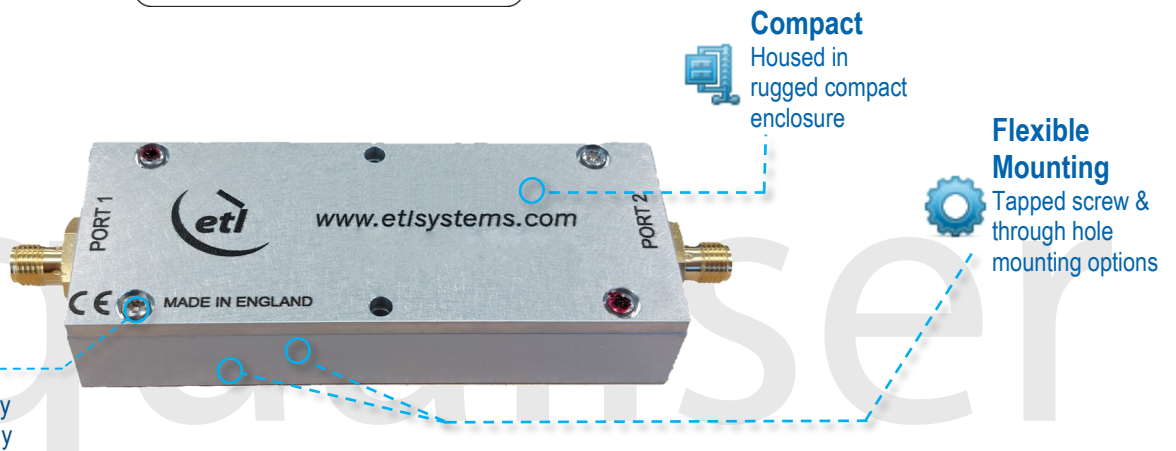
850 - 2150 MHz



- Reciprocal device
- DC blocked between the two ports
- 4dB positive slope

Available with RF connector options:

- 75 Ω BNC
- 75 Ω F-type.



RF Parameters		
EQUL1P-4514-xxxx	B7B7	F7F7
Frequency Range	850 - 2150 MHz	
RF Connectors	75Ω BNC	75Ω F-Type
Mean Insertion Loss (dB)	Typ.	3.0
	Max.	5.0
Slope Positive (dB)	4.0 ± 1.0	4.0 ± 1.0
Input Return Loss (dB)	Typ.	14
	Min	8
Output Return Loss (dB)	Typ.	14
	Min	8

Broadcast



Marine Oil & Gas



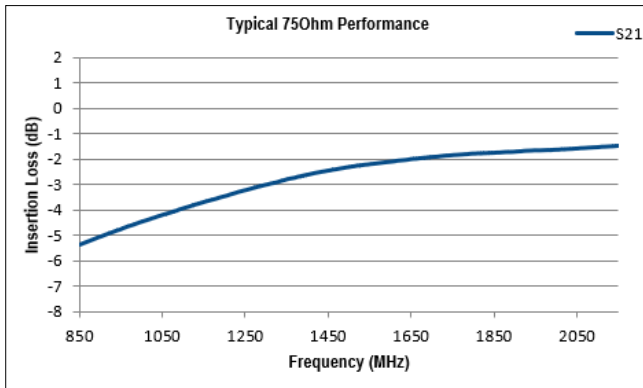
SNG & VSAT



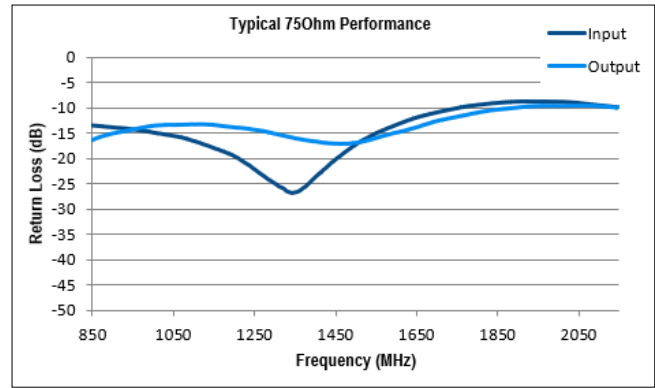
Satellite Teleport



Technical specifications and operating parameters



Gain (dB)



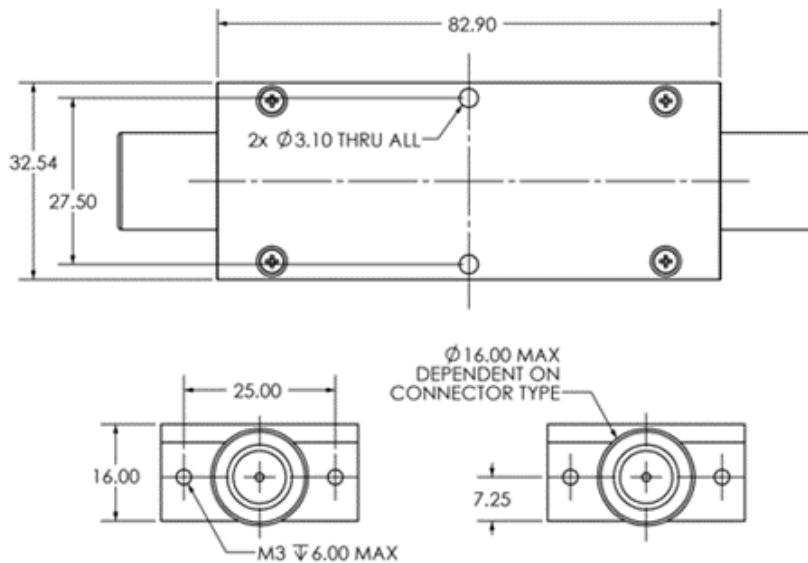
Return Loss (dB)

Environmental		
Operating Temperature		0°C to +65°C
Storage Temperature		-20°C to +75°C
Location		Indoor use Only
Humidity	Max	90% non-condensing
Altitude	Max	10,000 feet

Max Operating Parameters	
Input RF Power	+37 dBm (5W)
DC Voltage	28V
DC Current	N/A

! Operation beyond these limits may cause instantaneous and permanent damage.

Physical Dimensions (mm)



Note: The specification is subject to regular reviews and will be updated from time to time as part of our continuing product development and improved specification accuracy.