

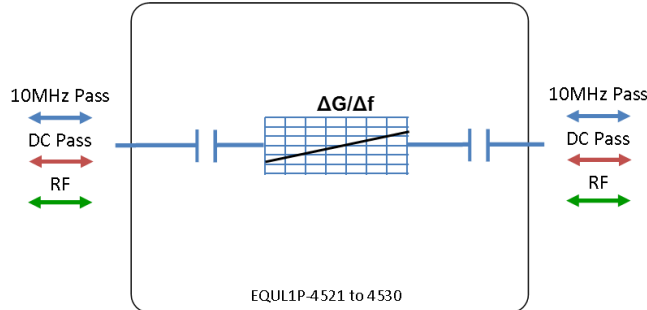


RF Components

# L-band Passive Equaliser

## 850 - 2150 MHz

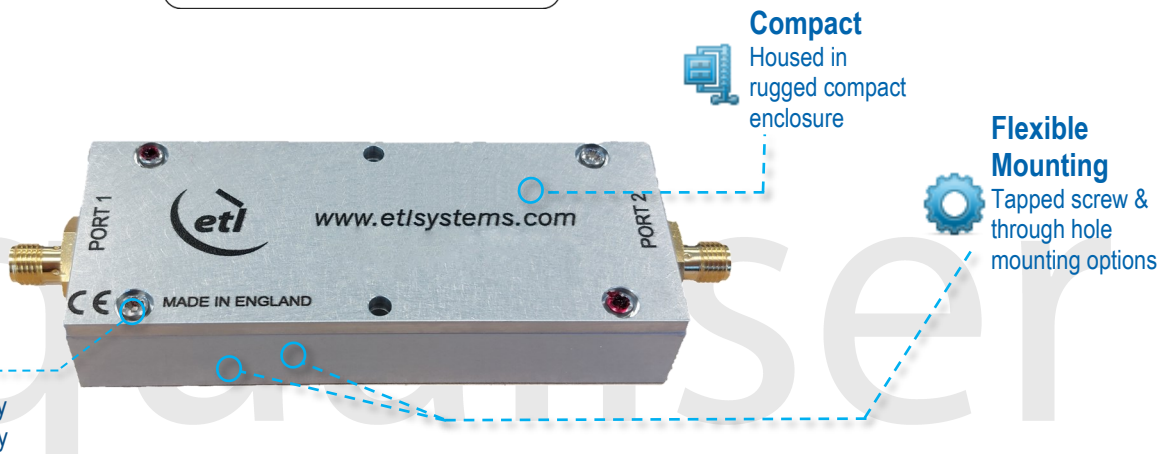
Model Number:  
**EQU1P-4523**



- Reciprocal device
- DC & 10 MHz pass between the two ports
- 3dB positive slope

Available with RF connector options:

- 50 Ω BNC
- 50 Ω N-Type
- 50 Ω SMA



RF Parameters			
EQU1P-4523-xxxx	S5S5	N5N5	B5B5
Frequency Range	850 - 2150 MHz		
RF Connectors	50Ω SMA	50Ω N-Type	50Ω BNC
Mean Insertion Loss (dB)	Typ.	2.5	2.5
	Max.	3.5	3.5
Slope Positive (dB)	3.0 ± 0.5	3.0 ± 0.5	3.0 ± 0.5
Input Return Loss (dB)	Typ.	18	16
	Min	12	10
Output Return Loss (dB)	Typ.	18	16
	Min	12	10

### Broadcast



### Marine Oil & Gas



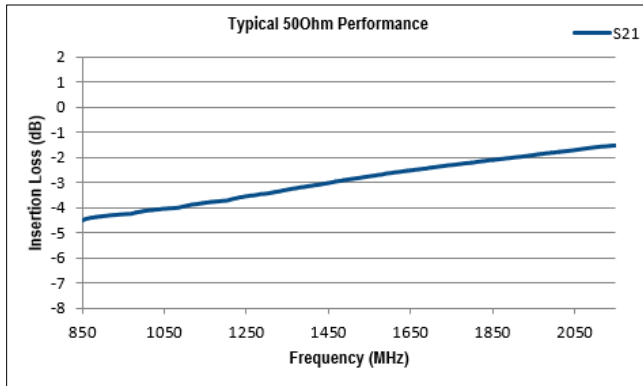
### SNG & VSAT



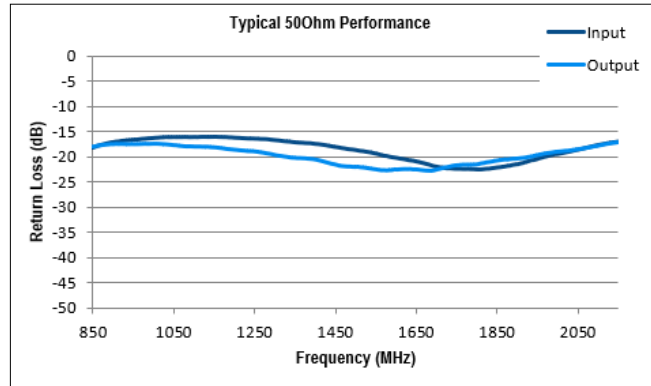
### Satellite Teleport



Technical specifications and operating parameters



Gain (dB)



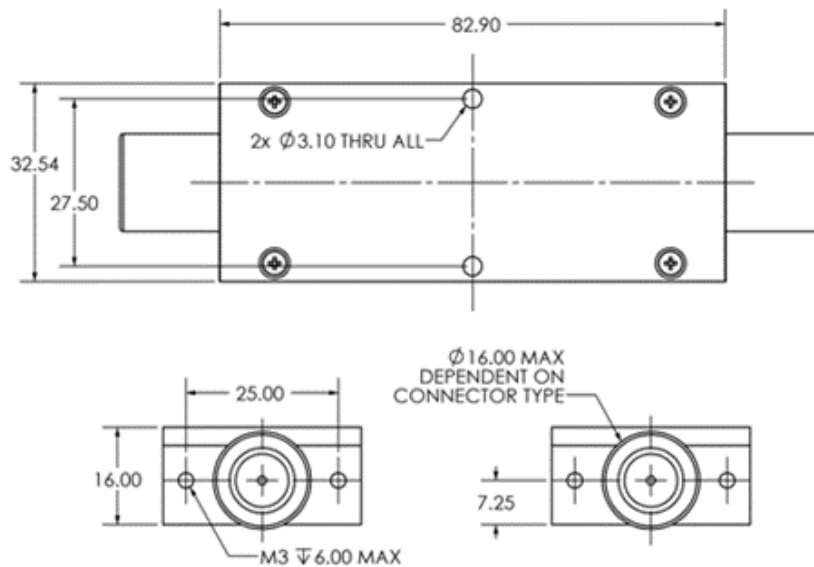
Return Loss (dB)

Environmental		
Operating Temperature		-20°C to +55°C
Storage Temperature		-20°C to +75°C
Location		Indoor use Only
Humidity	Max	90% non-condensing
Altitude	Max	10,000 feet

Max Operating Parameters	
Input RF Power	+37 dBm (5 W)
DC Voltage	28 V
DC Current	3 A

**!** Operation beyond these limits may cause instantaneous and permanent damage.

Physical Dimensions (mm)



Note: The specification is subject to regular reviews and will be updated from time to time as part of our continuing product development and improved specification accuracy.