

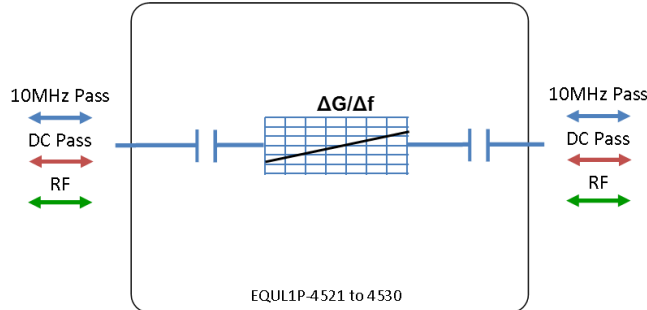


Model Number:
EQU1P-4530

RF Components

L-band Passive Equaliser

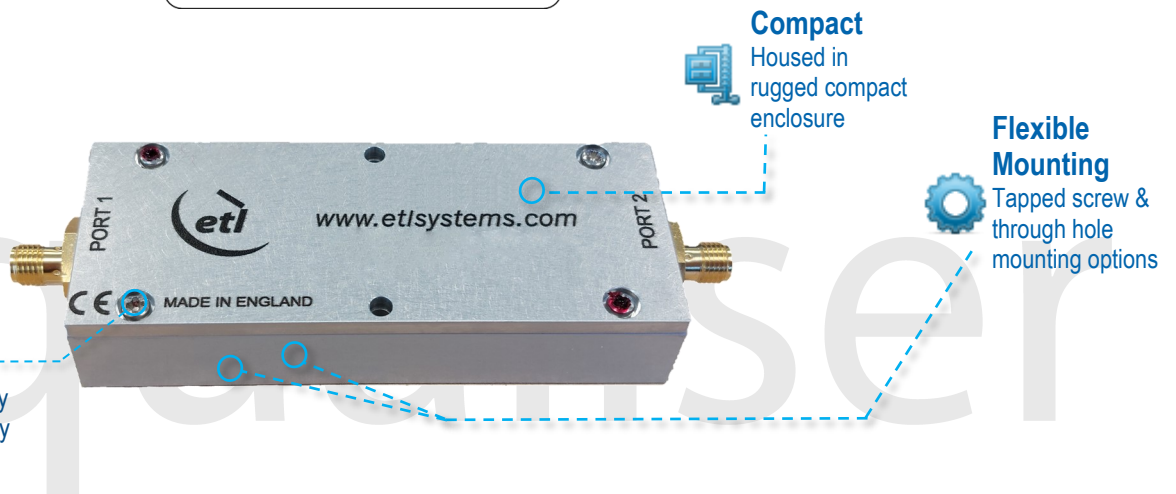
850 - 2150 MHz



- Reciprocal device
- DC & 10 MHz pass between the two ports
- 10dB positive slope

Available with RF connector options:

- 50 Ω BNC
- 50 Ω N-Type
- 50 Ω SMA



| RF Parameters | | | |
|--------------------------|----------------|------------|------------|
| EQU1P-4530-xxxx | S5S5 | N5N5 | B5B5 |
| Frequency Range | 850 - 2150 MHz | | |
| RF Connectors | 50Ω SMA | 50Ω N-Type | 50Ω BNC |
| Mean Insertion Loss (dB) | Typ. | 6.0 | 6.0 |
| | Max. | 9.0 | 9.0 |
| Slope Positive (dB) | 10.0 ± 1.5 | 10.0 ± 1.5 | 10.0 ± 1.5 |
| Input Return Loss (dB) | Typ. | 20 | 18 |
| | Min | 15 | 13 |
| Output Return Loss (dB) | Typ. | 20 | 18 |
| | Min | 15 | 13 |

Broadcast



Marine Oil & Gas



SNG & VSAT



Satellite Teleport





RF Components

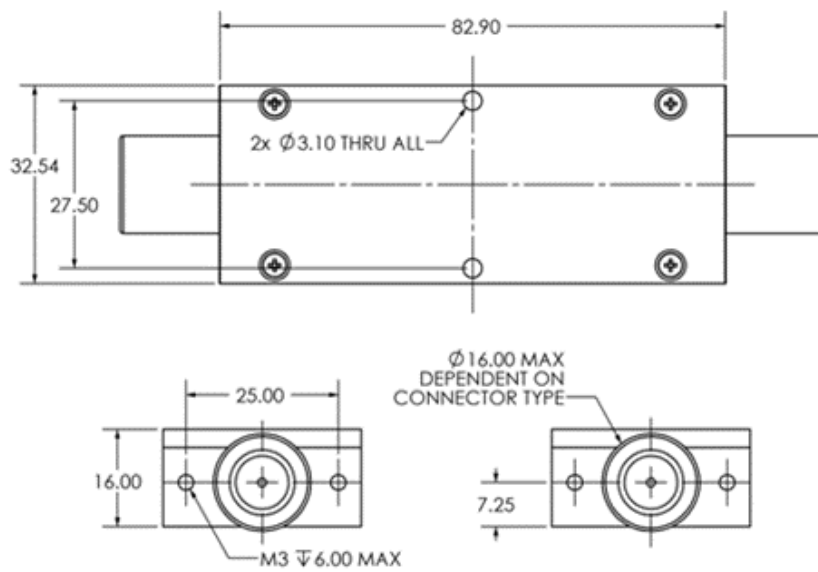
Model Number:
EQU1P-4530
 L-band Passive Equaliser

| Environmental | | |
|-----------------------|-----|--------------------|
| Operating Temperature | | 0°C to +65°C |
| Storage Temperature | | -20°C to +75°C |
| Location | | Indoor use Only |
| Humidity | Max | 90% non-condensing |
| Altitude | Max | 10,000 feet |

| Max Operating Parameters | |
|--------------------------|--------------|
| Input RF Power | +37 dBm (5W) |
| DC Voltage | 28 V |
| DC Current | 3 A |

! Operation beyond these limits may cause instantaneous and permanent damage.

Physical Dimensions (mm)



Note: The specification is subject to regular reviews and will be updated from time to time as part of our continuing product development and improved specification accuracy.

ETL SYSTEMS LIMITED
 Coldwell Radio Station
 Madley
 Hereford
 England HR2 9NE

TELEPHONE
 +44 (0)1981 259020
 EMAIL
 info@etlsystems.com

FACSIMILE
 +44 (0)1981 259021
 WEB
 www.etlsystems.com

