

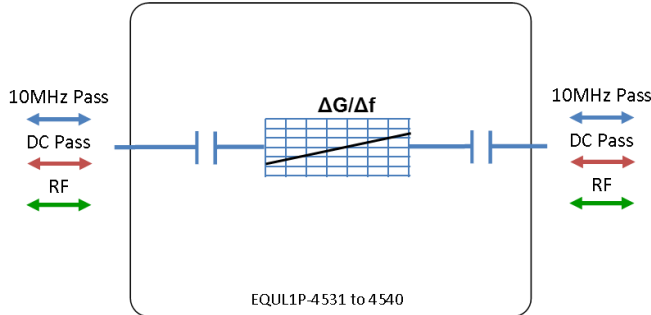


RF Components

L-band Passive Equaliser

850 - 2150 MHz

Model Number:
EQU1P-4540



- Reciprocal device
- DC & 10MHz pass between the two ports
- 10dB positive slope

Available with RF connector options:

- 75 Ω BNC
- 75 Ω F-type.



RF Parameters			
EQU1P-4540-xxxx		B7B7	F7F7
Frequency Range		850 - 2150 MHz	
RF Connectors		75Ω BNC	75Ω F-Type
Mean Insertion Loss (dB)	Typ.	6.5	6.5
	Max.	9.0	9.0
Slope Positive (dB)		10.0 ± 2.0	10.0 ± 2.0
Input Return Loss (dB)	Typ.	10	10
	Min	8	8
Output Return Loss (dB)	Typ.	10	10
	Min	8	8

Broadcast



Marine Oil & Gas



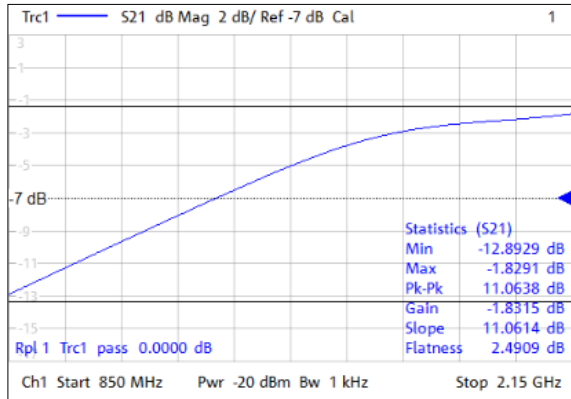
SNG & VSAT



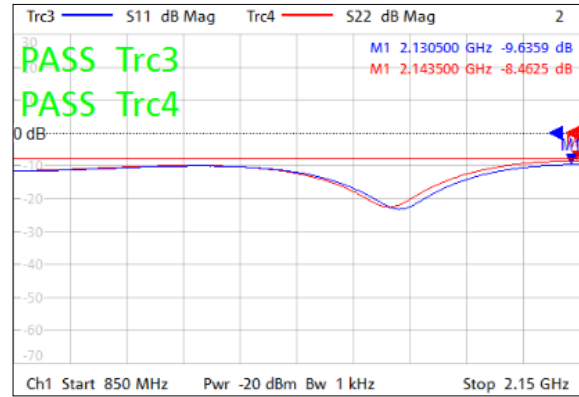
Satellite Teleport



Technical specifications and operating parameters



Gain (dB)



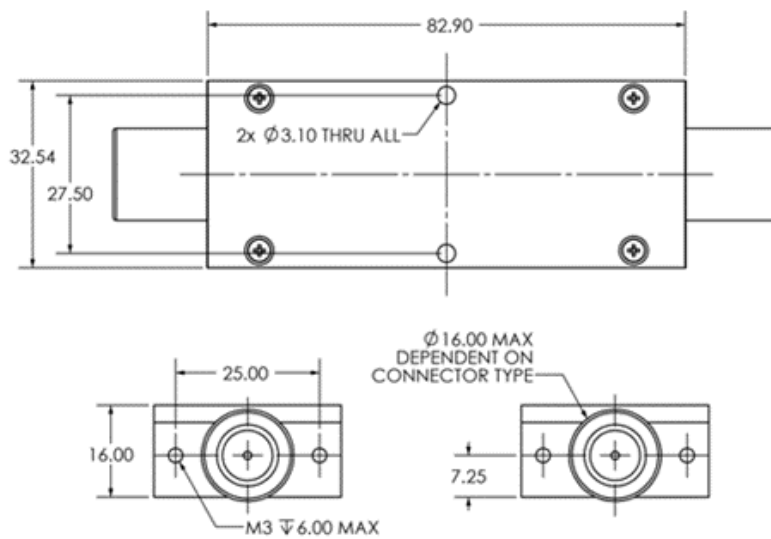
Return Loss (dB)

Environmental		
Operating Temperature		0°C to +65°C
Storage Temperature		-20°C to +75°C
Location		Indoor use Only
Humidity	Max	90% non-condensing
Altitude	Max	10,000 feet

Max Operating Parameters	
Input RF Power	+37 dBm (5W)
DC Voltage	28 V
DC Current	3 A

! Operation beyond these limits may cause instantaneous and permanent damage.

Physical Dimensions (mm)



Note: The specification is subject to regular reviews and will be updated from time to time as part of our continuing product development and improved specification accuracy.