



Model Number:
EQU2P-4561

RF Components

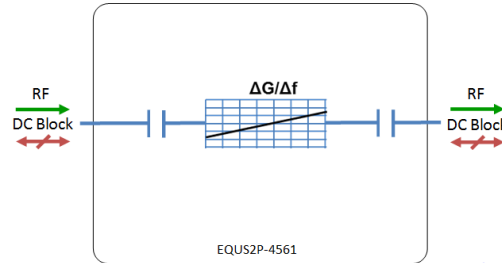
3 dB Positive Slope Equaliser

1700 - 2450 MHz

- DC blocked between the two ports
- 3dB slope equaliser

Available with RF connectors:

- 50 Ω N-type



Compact

Housed in rugged compact enclosure

Flexible Mounting

Tapped screw & through hole mounting options

1700 - 2450 MHz
Operating frequency range. L-Band ready



| RF Parameters | | |
|-------------------------------------|------|--------------------|
| EQU2P-4561 | | N5N5 |
| Frequency Range | | 1700 - 2450 MHz |
| RF Connectors | | 50 Ω N-Type |
| Mean Insertion Loss @ 2450 MHz (dB) | | 3.5 |
| Slope Positive (dB) | | 3 \pm 0.5 |
| Input Return Loss (dB) | Typ. | 18 |
| | Min | 16 |
| Output Return Loss (dB) | Typ. | 18 |
| | Min | 16 |

Broadcast



Marine Oil & Gas



SNG & VSAT



Satellite Teleport





RF Components

Model Number:

EQU2P-4561

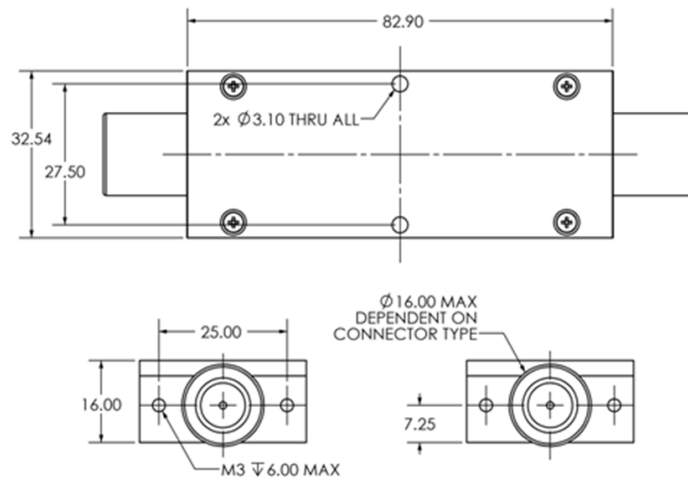
3 dB Positive Slope Equaliser

| Environmental | |
|-----------------------|------------------------|
| Operating Temperature | 0°C to +55°C |
| Storage Temperature | -20°C to +75°C |
| Location | Indoor use Only |
| Humidity | Max 85% non-condensing |
| Altitude | Max 10,000 feet |

| Max Operating Parameters | |
|--------------------------|---------------------|
| Input RF Power | + 20 dBm (100 mW) |
| DC Voltage | 35 V on any RF port |
| DC Current | N/A |
| DC Consumption | N/A |

! Operation beyond these limits may cause instantaneous and permanent damage.

Physical Dimensions (mm)



Note: The specification is subject to regular reviews and will be updated from time to time as part of our continuing product development and improved specification accuracy.

ETL SYSTEMS LIMITED
Coldwell Radio Station
Madley
Hereford
England HR2 9NE

TELEPHONE
+44 (0)1981 259020

EMAIL
info@etlsystems.com

FACSIMILE
+44 (0)1981 259021

WEB
www.etlsystems.com

