



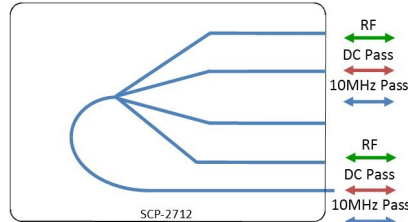
Model Number:
SCP-2712

RF Components

Scorpion Series

4-Way S/L-Band Passive Splitter/Combiner

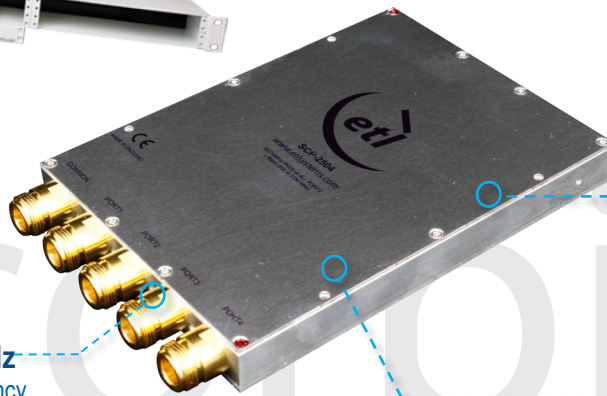
850 - 2450 MHz



- All ports 10MHz & DC pass
- All connectors located on rear of unit
- To be used as standalone unit or fitted to the Scorpion 1U rack mount chassis SCP-1U-11

Available with RF connector options:

- 50 Ω SMA
- 50 Ω N-type
- 50 Ω BNC
- 75 Ω BNC
- 75 Ω F-type.



Compact
Housed in rugged compact enclosure

Chassis Mounting
Tapped screw & through hole for use with Scorpion 1U chassis mount system

850 - 2450 MHz
Operating frequency range.

RF Parameters					
SCP-2712-XXXX	S5S5	N5N5	B5B5	B7B7	F7F7
Frequency Range	850-2450 MHz				
RF Connectors	50Ω SMA	50Ω N-Type	50Ω BNC	75Ω BNC	75Ω F-Type
Mean Insertion Loss (dB)	1.5 ± 1.0	1.5 ± 1.0	1.5 ± 1.0	2.0 ± 1.0	2.0 ± 1.0
Flatness ± (dB)	0.9	0.9	0.9	1.0	1.0
Input Return Loss (dB)	Typ.	10	10	10	10
	Min	8	8	8	8
Output Return Loss (dB)	Typ.	16	16	16	12
	Min	14	14	14	8
Isolation (dB)	Typ.	20	20	20	20
Amplitude Balance (dB)	≤0.3	≤0.3	≤0.3	≤1.0	≤1.0
Phase Balance (Φ)	≤4°	≤4°	≤4°	≤10°	≤10°

The given Insertion Loss specified is the loss above the theoretical limit for a lossless divider
 10MHz Insertion Loss is up to 3dB above the theoretical loss*
 10MHz Rejection is 20dB*
 *To ports which are applicable

Broadcast



Marine Oil & Gas



SNG & VSAT



Satellite Teleport



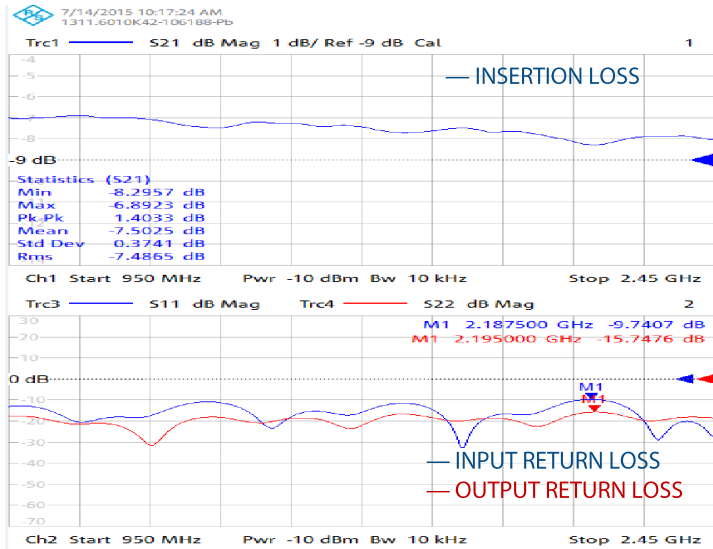


RF Components

Model Number:
SCP-2712

Scorpion Series 4-Way Wideband Passive Splitter/Combiner

Technical specifications and operating parameters

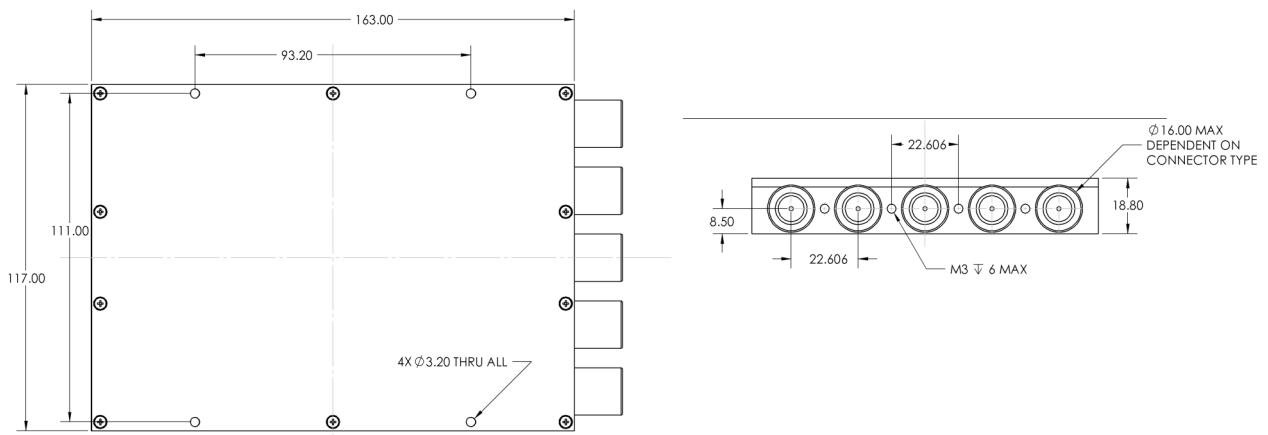


Environmental	
Operating Temperature	0°C to +45°C
Storage Temperature	-20°C to +75°C
Location	Indoor use Only
Humidity	Max 85% non-condensing
Altitude	Max 10,000 feet

Max Operating Parameters	
Input RF Power (As Splitter)	+34 dBm (2.5W)
Input RF Power (As Combiner)	+27 dBm (0.5W)
DC Voltage	35V on any RF port
DC Current	1A Max total current

! Operation beyond these limits may cause instantaneous and permanent damage.

Physical Dimensions (mm)



Note: The specification is subject to regular reviews and will be updated from time to time as part of our continuing product development and improved specification accuracy.

ETL SYSTEMS LIMITED
Coldwell Radio Station
Madley
Hereford
England HR2 9NE

TELEPHONE
+44 (0)1981 259020

EMAIL
info@etlsystems.com

FACSIMILE
+44 (0)1981 259021

WEB
www.etlsystems.com

