



Model Number:
SCP-2773

RF Components

Scorpion Series

2-Way IF-Band Passive Splitter/Combiner

10 - 1000 MHz



- All ports DC block
- All connectors located on rear of unit
- To be used as standalone unit or fitted to the Scorpion 1U rack mount chassis SCP-1U-11

Available with RF connector options:

- 50 Ω SMA
- 50 Ω N-type
- 50 Ω BNC
- 75 Ω BNC
- 75 Ω F-type.

Compact

Housed in rugged compact enclosure

Chassis Mounting

Tapped screw & through hole for use with Scorpion 1U chassis mount systems

10 - 1000 MHz
Operating frequency range.

| RF Parameters | | | | | | |
|--------------------------|------------|------------|----------|----------|------------|----|
| SCP-2773-XXXX | S5S5 | N5N5 | B5B5 | B7B7 | F7F7 | |
| Frequency Range | 10-200 MHz | | | | | |
| RF Connectors | 50Ω SMA | 50Ω N-Type | 50Ω BNC | 75Ω BNC | 75Ω F-Type | |
| Mean Insertion Loss (dB) | 0.6± 0.3 | 0.6± 0.3 | 0.6± 0.3 | 0.8± 0.4 | 0.8± 0.4 | |
| Flatness ± (dB) | 0.3 | 0.3 | 0.3 | 0.5 | 0.5 | |
| Input Return Loss (dB) | Typ. | 25 | 25 | 25 | 14 | 14 |
| | Min | 22 | 22 | 22 | 8 | 8 |
| Output Return Loss (dB) | Typ. | 22 | 22 | 22 | 14 | 14 |
| | Min | 18 | 18 | 18 | 8 | 8 |
| Isolation (dB) | Typ. | 25 | 25 | 25 | 22 | 22 |
| Amplitude Balance (dB) | ≤0.4 | ≤0.4 | ≤0.4 | ≤0.6 | ≤0.6 | |
| Phase Balance (Φ) | ≤1.0° | ≤1.0° | ≤1.0° | ≤1.5° | ≤1.5° | |

The given Insertion Loss specified is the loss above the theoretical limit for a lossless divider
 10MHz Insertion Loss is up to 3dB above the theoretical loss*
 10MHz Rejection is 20dB*
 *To ports which are applicable

Broadcast



Marine Oil & Gas



SNG & VSAT



Satellite Teleport





RF Components

Model Number:
SCP-2773

Scorpion Series 2-Way IF-band Passive Splitter/Combiner

| RF Parameters | | | | | |
|--------------------------|--------------|------------|----------|----------|------------|
| SCP-2773-XXXX | S5S5 | N5N5 | B5B5 | B7B7 | F7F7 |
| Frequency Range | 200-1000 MHz | | | | |
| RF Connectors | 50Ω SMA | 50Ω N-Type | 50Ω BNC | 75Ω BNC | 75Ω F-Type |
| Mean Insertion Loss (dB) | 1.0± 0.3 | 1.0± 0.3 | 1.0± 0.3 | 1.2± 0.4 | 1.2± 0.4 |
| Flatness ± (dB) | 0.5 | 0.5 | 0.5 | 0.8 | 0.8 |
| Input Return Loss (dB) | 25 | 25 | 25 | 14 | 14 |
| | 20 | 20 | 20 | 8 | 8 |
| Output Return Loss (dB) | 22 | 22 | 22 | 14 | 14 |
| | 18 | 18 | 18 | 8 | 8 |
| Isolation (dB) | 18 | 18 | 18 | 16 | 16 |
| Amplitude Balance (dB) | ≤0.6 | ≤0.6 | ≤0.6 | ≤0.8 | ≤0.8 |
| Phase Balance (Φ) | ≤2.5° | ≤2.5° | ≤2.5° | ≤2.5° | ≤2.5° |

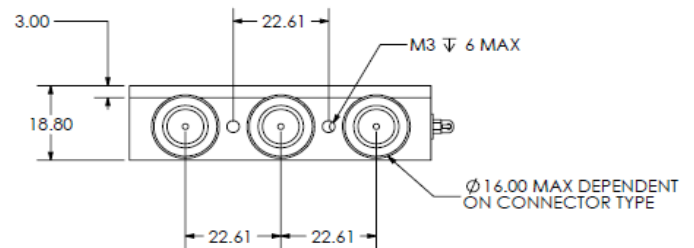
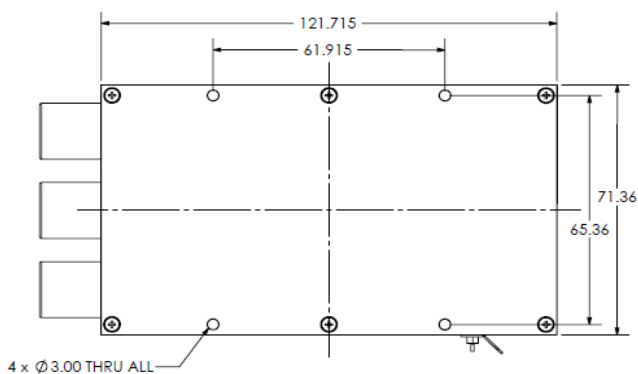
The given Insertion Loss specified is the loss above the theoretical limit for a lossless divider
 10MHz Insertion Loss is up to 3dB above the theoretical loss*
 10MHz Rejection is 20dB*
 *To ports which are applicable

| Environmental | | |
|-----------------------|-----------------|--------------------|
| Operating Temperature | 0°C to +45°C | |
| Storage Temperature | -20°C to +75°C | |
| Location | Indoor use Only | |
| Humidity | Max | 85% non-condensing |
| Altitude | Max | 10,000 feet |

| Max Operating Parameters | |
|------------------------------|--------------------|
| Input RF Power (As Splitter) | +27 dBm (500mW) |
| Input RF Power (As Combiner) | +18 dBm (62.5W) |
| DC Voltage | 35V on any RF port |
| DC Current | N/A |

! Operation beyond these limits may cause instantaneous and permanent damage.

Physical Dimensions (mm)



Note: The specification is subject to regular reviews and will be updated from time to time as part of our continuing product development and improved specification accuracy.

ETL SYSTEMS LIMITED
Coldwell Radio Station
Madley
Hereford
England HR2 9NE

TELEPHONE
+44 (0)1981 259020

EMAIL
info@etlsystems.com

FACSIMILE
+44 (0)1981 259021

WEB
www.etlsystems.com

