

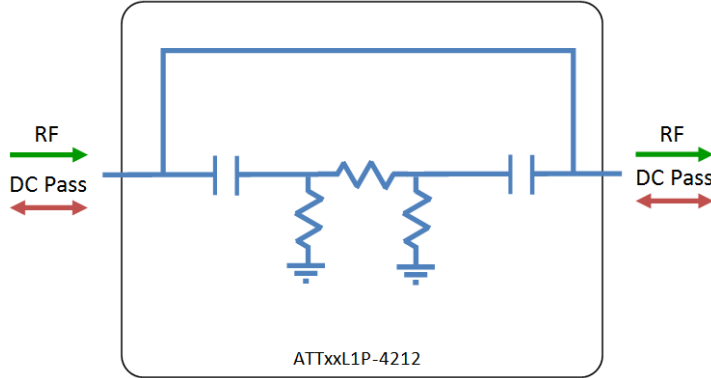


RF Components

L-Band Attenuator

850-2150 MHz

Model Number:
ATTxxL1P-4212



- DC Pass
- Tubular Housing
- Available with 3, 6, 10 or 20dB attenuation.

Available with RF connector options:

- 50 Ω SMA
- 50 Ω N-type
- 50 Ω BNC
- 75 Ω BNC
- 75 Ω F-type.



850-2150 MHz
Operating frequency range. L-Band ready



Compact
Housed in rugged compact enclosure

Attenuator

RF Parameters						
ATT03L1P-4212-xxxx	S5S5	N5N5	B5B5	B7B7	F7F7	
Frequency Range	850 - 2150 MHz					
RF Connectors	50Ω SMA	50Ω N-Type	50Ω BNC	75Ω BNC	75Ω F-Type	
Attenuation (dB)	3 ± 0.5	3 ± 0.5	3 ± 0.5	3 ± 0.8	3 ± 0.8	
Flatness ± (dB)	0.5	0.5	0.5	0.5	0.5	
Input Return Loss (dB)	Typ	18	18	16	12	12
	Min	14	14	12	8	8
Output Return Loss (dB)	Typ	18	18	16	12	12
	Min	14	14	12	8	8

Broadcast



Marine Oil & Gas



SNG & VSAT



Satellite Teleport





RF Components

Model Number:
ATT06L1P-4212
L-Band Attenuator

RF Parameters						
ATT06L1P-4212-xxxx	S5S5	N5N5	B5B5	B7B7	F7F7	
Frequency Range	850 - 2150 MHz					
RF Connectors	50Ω SMA	50Ω N-Type	50Ω BNC	75Ω BNC	75Ω F-Type	
Attenuation (dB)	6 ± 0.5	6 ± 0.5	6 ± 0.5	6 ± 0.8	6 ± 0.8	
Flatness ± (dB)	0.5	0.5	0.5	0.5	0.5	
Input Return Loss (dB)	Typ	18	18	16	12	12
	Min	14	14	12	8	8
Output Return Loss (dB)	Typ	18	18	16	12	12
	Min	14	14	12	8	8

RF Parameters						
ATT10L1P-4212-xxxx	S5S5	N5N5	B5B5	B7B7	F7F7	
Frequency Range	850 - 2150 MHz					
RF Connectors	50Ω SMA	50Ω N-Type	50Ω BNC	75Ω BNC	75Ω F-Type	
Attenuation (dB)	10 ± 0.8	10 ± 0.8	10 ± 0.8	10 ± 1.3	10 ± 1.3	
Flatness ± (dB)	0.5	0.5	0.5	0.5	0.5	
Input Return Loss (dB)	Typ	18	18	16	12	12
	Min	14	14	12	8	8
Output Return Loss (dB)	Typ	18	18	16	12	12
	Min	14	14	12	8	8

RF Parameters						
ATT20L1P-4212-xxxx	S5S5	N5N5	B5B5	B7B7	F7F7	
Frequency Range	850 - 2150 MHz					
RF Connectors	50Ω SMA	50Ω N-Type	50Ω BNC	75Ω BNC	75Ω F-Type	
Attenuation (dB)	20 ± 0.8	20 ± 0.8	20 ± 0.8	20 ± 1.3	20 ± 1.3	
Flatness ± (dB)	0.5	0.5	0.5	0.5	0.5	
Input Return Loss (dB)	Typ	18	18	16	12	12
	Min	14	14	12	8	8
Output Return Loss (dB)	Typ	18	18	16	12	12
	Min	14	14	12	8	8

Broadcast



Marine Oil & Gas



SNG & VSAT



Satellite Teleport





RF Components

Model Number:
ATT06L1P-4212
L-Band Attenuator

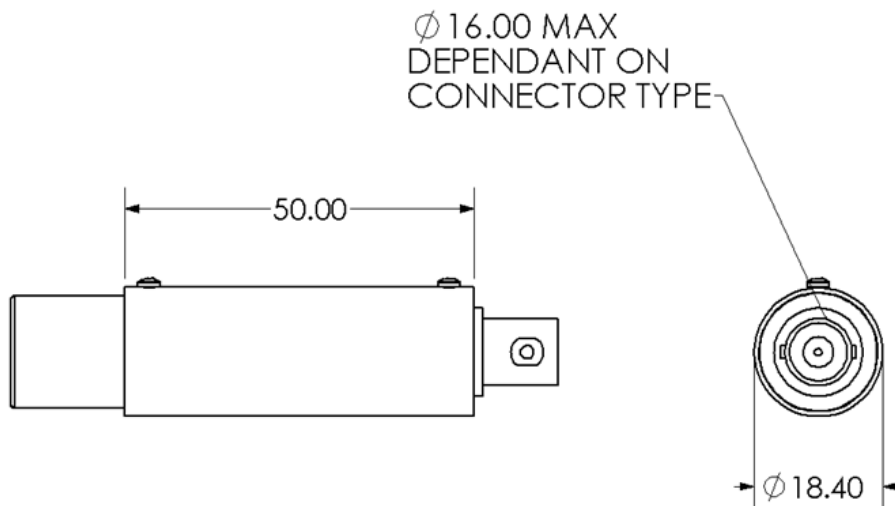
Technical specifications and operating parameters

Environmental		
Operating Temperature		0°C to +45°C
Storage Temperature		-20°C to +75°C
Location		Indoor use Only
Humidity	Max	85% non-condensing
Altitude	Max	10,000 feet

Max Operating Parameters	
Input RF Power	+21 dBm (125mW)
DC Voltage	35V on any RF port
DC Current	1A Max

! Operation beyond these limits may cause instantaneous and permanent damage.

Physical Dimensions (mm)



Note: The specification is subject to regular reviews and will be updated from time to time as part of our continuing product development and improved specification accuracy.

ETL SYSTEMS LIMITED
Coldwell Radio Station
Madley
Hereford
England HR2 9NE

TELEPHONE
+44 (0)1981 259020

EMAIL
info@etlsystems.com

FACSIMILE
+44 (0)1981 259021

WEB
www.etlsystems.com

