

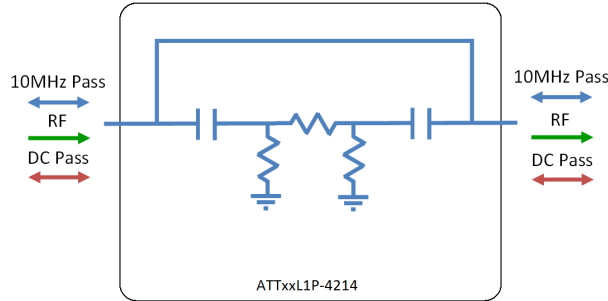


Model Number:
ATTxxL1P-4214

RF Components

L-Band Attenuator

850-2150MHz



- Tubular Attenuators
- Available with 3, 6, 10, 20 or 30 dB attenuation.
- DC & un-attenuated 10MHz pass.

Available with RF connector options:

- 50 Ω SMA
- 50 Ω N-type
- 50 Ω BNC
- 75 Ω BNC
- 75 Ω F-type.



850-2150 MHz
Operating frequency range. L-Band ready



Compact
Housed in rugged compact enclosure

RF Parameters					
ATT03L1P-4214-xxxx	S5S5	N5N5	B5B5	B7B7	F7F7
Frequency Range	850 - 2150 MHz				
RF Connectors	50Ω SMA	50Ω N-Type	50Ω BNC	75Ω BNC	75Ω F-Type
Attenuation (dB)	3 ± 0.5	3 ± 0.5	3 ± 0.5	3 ± 0.8	3 ± 0.8
Flatness ± (dB)	0.5	0.5	0.5	0.5	0.5
Input Return Loss (dB)	Typ	18	18	16	12
	Min	14	14	12	8
Output Return Loss (dB)	Typ	18	18	16	12
	Min	14	14	12	8

RF Parameters					
ATT06L1P-4214-xxxx	S5S5	N5N5	B5B5	B7B7	F7F7
Frequency Range	850 - 2150 MHz				
RF Connectors	50Ω SMA	50Ω N-Type	50Ω BNC	75Ω BNC	75Ω F-Type
Attenuation (dB)	6 ± 0.5	6 ± 0.5	6 ± 0.5	6 ± 0.8	6 ± 0.8
Flatness ± (dB)	0.5	0.5	0.5	0.5	0.5
Input Return Loss (dB)	Typ	18	18	16	12
	Min	14	14	12	8
Output Return Loss (dB)	Typ	18	18	16	12
	Min	14	14	12	8

Broadcast



Marine Oil & Gas



SNG & VSAT



Satellite Teleport





RF Components

Model Number:
ATTxxL1P-4214
L-Band Attenuator

RF Parameters						
ATT10L1P-4214-xxxx	S5S5	N5N5	B5B5	B7B7	F7F7	
Frequency Range	850 - 2150 MHz					
RF Connectors	50Ω SMA	50Ω N-Type	50Ω BNC	75Ω BNC	75Ω F-Type	
Attenuation (dB)	10 ± 0.8	10 ± 0.8	10 ± 0.8	10 ± 1.3	10 ± 1.3	
Flatness ± (dB)	0.5	0.5	0.5	0.5	0.5	
Input Return Loss (dB)	Typ	18	18	16	12	12
	Min	14	14	12	8	8
Output Return Loss (dB)	Typ	18	18	16	12	12
	Min	14	14	12	8	8

RF Parameters						
ATT20L1P-4214-xxxx	S5S5	N5N5	B5B5	B7B7	F7F7	
Frequency Range	850 - 2150 MHz					
RF Connectors	50Ω SMA	50Ω N-Type	50Ω BNC	75Ω BNC	75Ω F-Type	
Attenuation (dB)	20 ± 0.8	20 ± 0.8	20 ± 0.8	20 ± 1.3	20 ± 1.3	
Flatness ± (dB)	0.5	0.5	0.5	0.5	0.5	
Input Return Loss (dB)	Typ	18	18	16	12	12
	Min	14	14	12	8	8
Output Return Loss (dB)	Typ	18	18	16	12	12
	Min	14	14	12	8	8

RF Parameters						
ATT30L1P-4214-xxxx	S5S5	N5N5	B5B5	B7B7	F7F7	
Frequency Range	850 - 2150 MHz					
RF Connectors	50Ω SMA	50Ω N-Type	50Ω BNC	75Ω BNC	75Ω F-Type	
Attenuation (dB)	30 ± 1.2	30 ± 1.2	30 ± 1.5	30 ± 1.75	30 ± 1.75	
Flatness ± (dB)	0.5	0.5	0.5	0.5	0.5	
Input Return Loss (dB)	Typ	18	18	16	14	14
	Min	14	14	12	8	8
Output Return Loss (dB)	Typ	18	18	16	12	12
	Min	14	14	12	8	8

Broadcast



Marine Oil & Gas



SNG & VSAT



Satellite Teleport

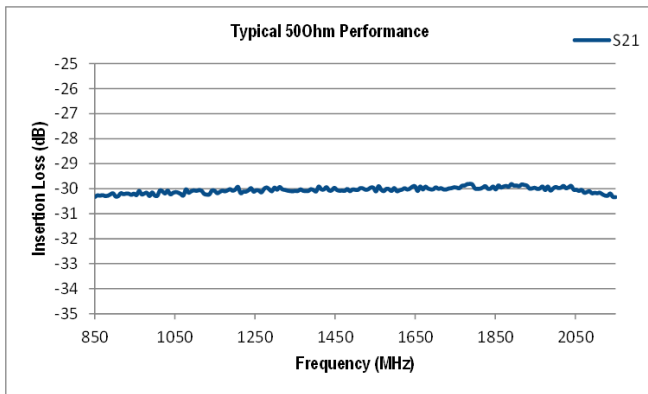


Technical specifications and operating parameters

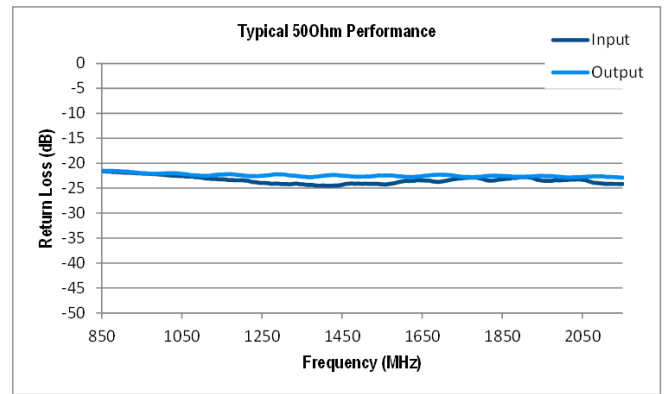
Environmental		
Operating Temperature		0°C to +45°C
Storage Temperature		-20°C to +75°C
Location		Indoor use Only
Humidity	Max	85% non-condensing
Altitude	Max	10,000 feet

Max Operating Parameters	
Input RF Power	+21 dBm (125mW)
DC Voltage	35V on any RF port
DC Current	1A Max

! Operation beyond these limits may cause instantaneous and permanent damage.

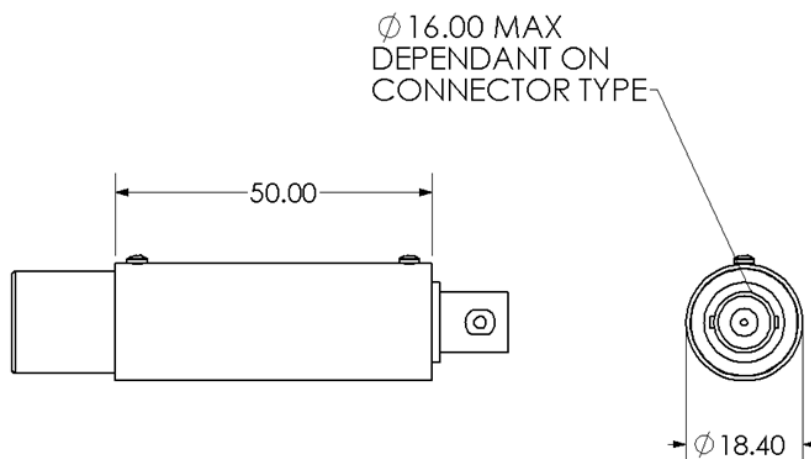


Insertion Loss (dB)



Return Loss (dB)

Physical Dimensions (mm)



Note: The specification is subject to regular reviews and will be updated from time to time as part of our continuing product development and improved specification accuracy.