

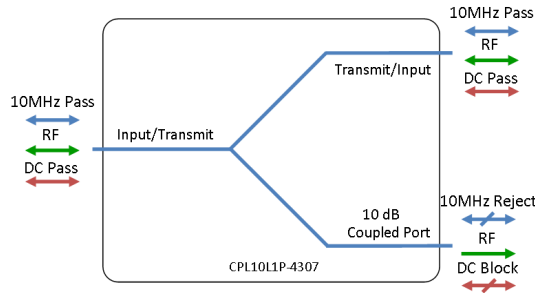


Model Number:  
**CPL10L1P-4307**

RF Components

# 10dB Extended L-band Directional Coupler

**850 MHz to 2450 MHz**



- DC & 10 MHz pass from input to transmit ports
- Coupled port, DC blocked

Available with RF connector options:

- 50 Ω SMA
- 50 Ω N-type
- 50 Ω BNC
- 75 Ω BNC
- 75 Ω F-type.



**850-2450 MHz**  
Operating frequency range. L-Band ready



**Compact**  
Housed in rugged compact enclosure



**Flexible Mounting**  
Tapped screw & through hole mounting options

RF Parameters								
CPL10L1P-4307-XXXXXX	S5S5S5	N5N5N5	B5B5B5	B7B7B7	F7F7F7	S5S5S5	N5N5N5	B5B5B5
Frequency Range	850 - 2150 MHz					850 - 2450 MHz		
RF Connectors	50Ω SMA	50Ω N-Type	50Ω BNC	75Ω BNC	75Ω F-Type	50Ω SMA	50Ω N-Type	50Ω BNC
<b>Through Path :</b>								
Mean Insertion Loss (dB)	1.0 ± 0.2	1.0 ± 0.2	1.0 ± 0.4	1.2 ± 0.4	1.2 ± 0.4	1.0 ± 0.2	1.0 ± 0.2	1.0 ± 0.4
Flatness (dB)	± 0.5	± 0.5	± 0.6	± 0.6	± 0.6	± 0.5	± 0.5	± 0.6
Input Return Loss (dB)	Typ	20	18	18	12	12	20	18
	Min	15	14	14	8	8	13	12
Output Return Loss (dB)	Typ	20	18	18	12	12	20	18
	Min	15	14	14	8	8	13	12
<b>Coupled Port :</b>								
Mean Coupling Factor (dB)	10 ± 1.0	10 ± 1.0	10 ± 1.0	10 ± 1.0	10 ± 1.0	10 ± 1.0	10 ± 1.0	10 ± 1.0
Flatness (dB)	Typ	± 1.5	± 1.5	± 1.6	± 1.8	± 1.8	± 1.5	± 1.6
Return Loss (dB)	Typ	20	18	18	12	12	20	18
	Min	12	12	12	8	8	11	11
Directivity (dB)	Typ	14	14	14	14	14	14	14
10MHz Insertion Loss is up to 3dB above the theoretical loss* 10MHz Rejection is 20dB* *To ports which are applicable								

## Broadcast



## Marine Oil & Gas



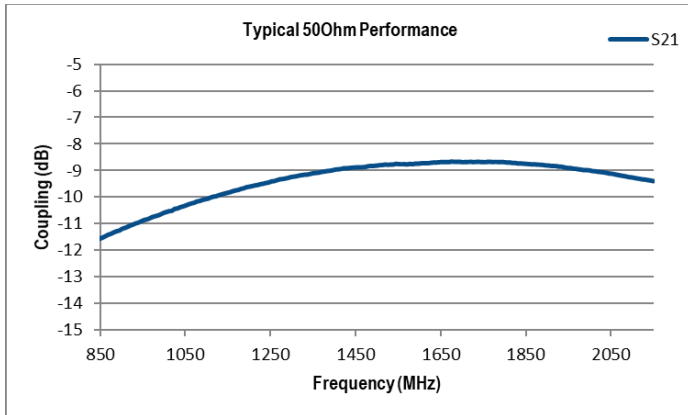
## SNG & VSAT



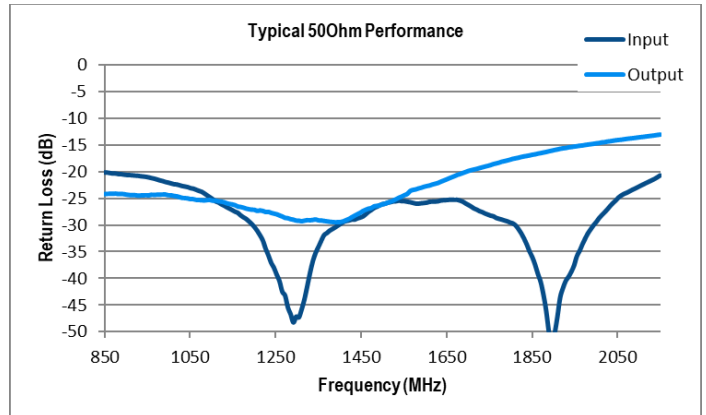
## Satellite Teleport



**Technical specifications and operating parameters**



Coupling (dB)



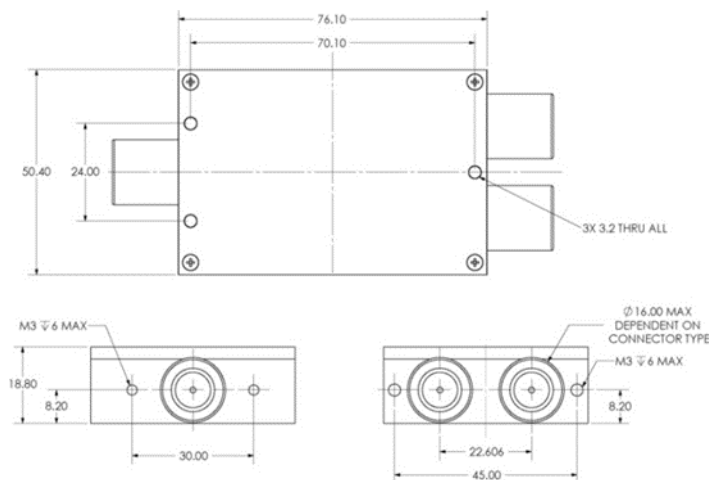
Return Loss (dB)

Environmental		
Operating Temperature		0°C to +45°C
Storage Temperature		-20°C to +75°C
Location		Indoor use Only
Humidity	Max	85% non-condensing
Altitude	Max	10,000 feet

Max Operating Parameters	
Input RF Power	+37 dBm (5W)
DC Voltage	50V
DC Current	3.5A max 5A if N-Type connectors

**!** Operation beyond these limits may cause instantaneous and permanent damage.

**Physical Dimensions (mm)**



Note: The specification is subject to regular reviews and will be updated from time to time as part of our continuing product development and improved specification accuracy.