

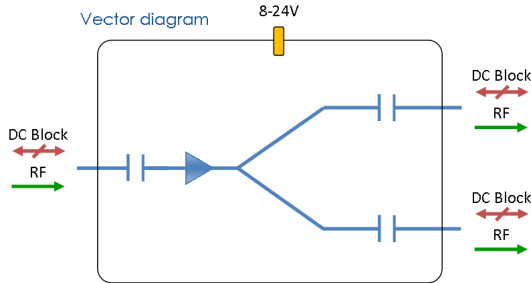


Model Number:
DIV02S2A-2309

RF Components

2-way S-Band Active Splitter

850-2500MHz



- 5dB gain and 3dB positive slope
- All other ports are DC blocked
- Requires 8-24V external DC Bias

Available with RF connector options:

- 50 Ω SMA
- 50 Ω N-type
- 50 Ω BNC

8-24V
External DC
powering

Compact
Housed in
rugged compact
enclosure

850-2500MHz
Operating frequency
range.

**Flexible
Mounting**
Tapped screw &
through hole
mounting options



RF Parameters				
DIV02S2A-2309-XXXX		S5S5	N5N5	B5B5
Frequency Range		850-2500 MHz		
RF Connectors		50 Ω SMA	50 Ω N-Type	50 Ω BNC
Mean Gain (dB)		5 \pm 1	5 \pm 1	5 \pm 1
Input Return Loss (dB)	Typ.	16	16	14
	Min.	12	13	10
Output Return Loss (dB)	Typ.	16	16	14
	Min.	12	13	10
Output P1dB GCP* (dBm)	Typ.	5	5	5
	Min.	3	3	3
Isolation (dB)	Typ.	25	25	25
Noise Figure (dB)	Typ.	10	10	10
Amplitude Balance (dB)		\leq 0.5	\leq 0.5	\leq 0.5
Phase Balance (Φ)		\leq 5 $^\circ$	\leq 5 $^\circ$	\leq 5 $^\circ$

*GCP (Gain Compression Point)

Broadcast



Marine Oil & Gas



SNG & VSAT



Satellite Teleport





RF Components

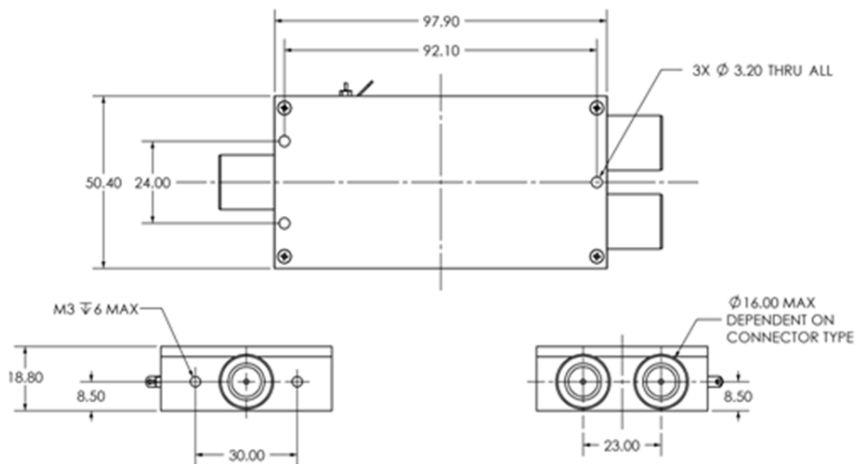
Model Number:
DIV02S2A-2309
2-way S-Band Active Splitter

Environmental		
Operating Temperature		0°C to +50°C
Storage Temperature		-20°C to +80°C
Location		Indoor use Only
Humidity	Max	80% non-condensing
Altitude	Max	10,000 feet

Max Operating Parameters	
Input RF Power	+16 dBm
DC Voltage	30V on any RF port

! Operation beyond these limits may cause instantaneous and permanent damage.

Physical Dimensions



Note: The specification is subject to regular reviews and will be updated from time to time as part of our continuing product development and improved specification accuracy.

ETL SYSTEMS LIMITED
Coldwell Radio Station
Madley
Hereford
England HR2 9NE

TELEPHONE
+44 (0)1981 259020

EMAIL
info@etlsystems.com

FACSIMILE
+44 (0)1981 259021

WEB
www.etlsystems.com

