

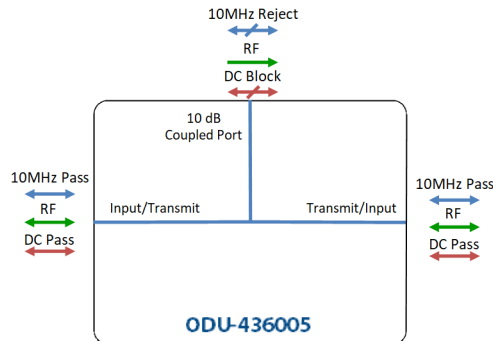


Model Number:  
**ODU-436005**

RF Components

# IP67 10dB L-band Directional Coupler

**850-2450 MHz**



- Coupled port is DC blocked
- 10 dB coupling

Available with RF connector options:

- 50 Ω N-type Female
- 50 Ω N-type Male



**850-2450 MHz**  
Operating frequency range. L-band ready.



**Compact**

Housed in rugged compact enclosure\*



**Flexible Mounting**

Through hole mounting options

# Coupler

RF Parameters		ODU-436005	N5N5N5
Frequency Range		850-2450 MHz	
RF Connectors		N-Type 50 ohm	
Mean Coupling Factor (dB)		10 ± 1.0	
Mean Insertion loss* (dB)		1.5	
Through Path Flatness (dB)	Typ.	± 0.5	
Coupler Port Flatness (dB)	Typ.	± 1.5	
Return Loss (dB) Thru line	Typ.	16	
	Min.	14	
Return Loss (dB) Coupled port	Typ.	14	
	Min.	10	
Directivity** (dB)	Typ.	14	

\* Excluding coupling loss  
\*\*Directivity across frequency band will vary.

**Broadcast**



**Marine Oil & Gas**



**SNG & VSAT**



**Satellite Teleport**



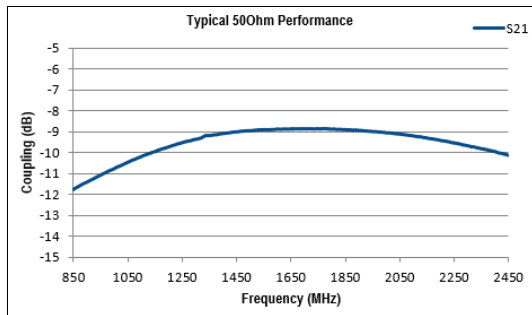


RF Components

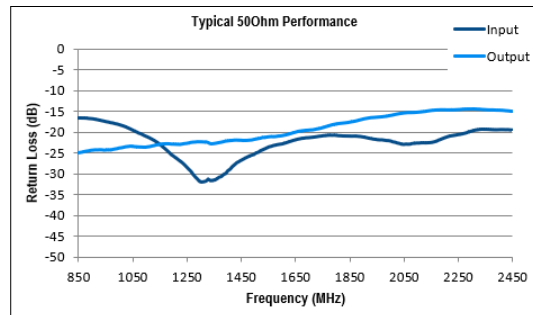
Model Number:

**ODU-436005**

IP67 L-band Directional Coupler 10dB



Coupled Port



Return Loss

### Technical specifications and operating parameters

Environmental		
Operating Temperature		-40° C to +85° C
Storage Temperature		-50° C to +100° C
Location		Indoor / Outdoor IP67* use
Humidity	Max	95% non-condensing
Altitude	Max	10,000 feet

Max Operating Parameters	
Input RF Power	+37 dBm 5W
DC Pass Current	3A
DC Voltage	35V on any RF port

\*IP67 integrity is maintained by populating all ports with sufficiently rated connectors and that unused ports have IP67 terminators or dust caps when awaiting connection. Dust caps are not sold with this product.

**!** Operation beyond these limits may cause instantaneous and permanent damage.

ETL SYSTEMS LIMITED  
Coldwell Radio Station  
Madley  
Hereford  
England HR2 9NE

TELEPHONE  
+44 (0)1981 259020  
  
EMAIL  
info@etlsystems.com

FACSIMILE  
+44 (0)1981 259021  
  
WEB  
www.etlsystems.com