



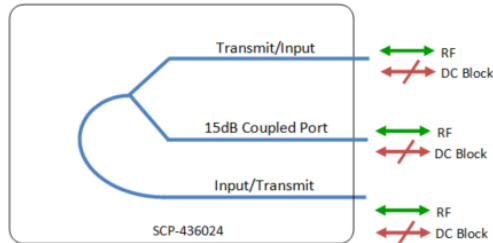
Model Number:  
**SCP-436024**

RF Components

# Scorpion Series

## 15dB IF-band Proximity Coupler

140 - 720 MHz



- DC block on all ports.
- To be used as standalone unit or fitted to the Scorpion 1U rack mount chassis SCP-1U-11

Available with RF connector options:

- 50 Ω SMA
- 50 Ω N-type
- 50 Ω BNC



**Compact**  
Housed in rugged compact enclosure

**Chassis Mounting**  
Tapped screw & through hole for use with Scorpion 1U chassis mount systems

**140 - 720 MHz**  
Operating frequency range.

RF Parameters			
SCP-436024	S5S5S5	N5N5N5	B5B5B5
Frequency Range	140-720 MHz		
RF Connectors	50Ω SMA	50Ω N-Type	50Ω BNC
<b>Through Path:</b>			
Max Insertion Loss (dB)	2.0	2.0	2.0
Input Return Loss (dB)	15	15	15
	13	13	13
Output Return Loss (dB)	14	14	14
	11	11	11
<b>Coupled Port :</b>			
Coupling Factor	15 ± 0.5	15 ± 0.5	15 ± 0.5
Flatness (dB)	± 0.2	± 0.2	± 0.3
Return Loss (dB)	14	14	14
	11	11	11

### Broadcast



### Marine Oil & Gas



### SNG & VSAT



### Satellite Teleport





RF Components

Model Number:

**SCP-436024**

Scorpion Series 15dB IF-band Proximity Coupler

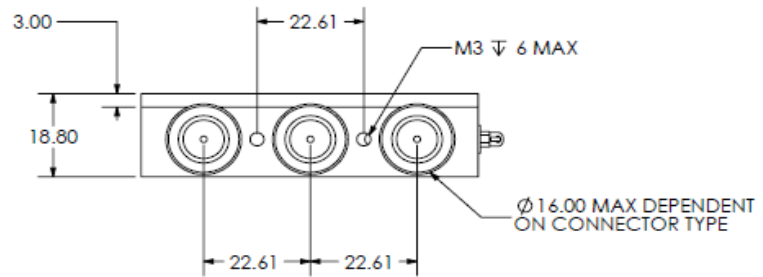
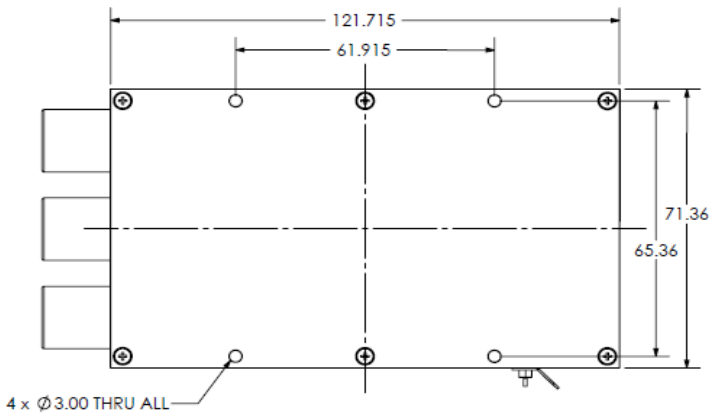
**Technical specifications and operating parameters**

Environmental		
Operating Temperature		0°C to +45°C
Storage Temperature		-20°C to +75°C
Location		Indoor use Only
Humidity	Max	85% non-condensing
Altitude	Max	10,000 feet

Max Operating Parameters	
Input RF Power	+35 dBm (5W)
DC Voltage	50V on any RF port
DC Current	3.5A Max

**!** Operation beyond these limits may cause instantaneous and permanent damage.

**Physical Dimensions (mm)**



Note: The specification is subject to regular reviews and will be updated from time to time as part of our continuing product development and improved specification accuracy.

ETL SYSTEMS LIMITED  
Coldwell Radio Station  
Madley  
Hereford  
England HR2 9NE

TELEPHONE  
+44 (0)1981 259020  
  
EMAIL  
info@etlsystems.com

FACSIMILE  
+44 (0)1981 259021  
  
WEB  
www.etlsystems.com