



SRY Compact Fibre System Summary

Typical applications:

- Fibre connectivity between VSAT antenna to a remote control room.
- For links up to 10 km.

An optical transmit and receive RF over fibre system, with options to cover 500 to 3150 MHz, for links up to 10km. The ODU is built in a compact and ruggedised EMC sealed housing and the IDU can either be a standard 19" rack mount chassis or also in an ODU housing making for an overall more ruggedised compact solution. The fibre system consists of up to 6 transmission paths. These can be a combination of uplinks, downlinks, 10MHz or Ethernet, with a variety of connector options and configurations, (Please see the table on page 3 for more details). IP65 rated DC PSUs for the Outdoor unit can be supplied as can optical cross site cables.

Indoor SRY-xTxR-95xx-yyzz



Image dependant on configuration of unit



Wide range of operating frequencies range for up & downlinks.



Control & monitoring of IDU via dual RJ45 connectors.



10 MHz Reference Signal input for up & downlinks. Via EXT input or multiplexed with L-Band input.



Variable gain on RX and TX modules for enhance signal control

Outdoor SRY-xTxR-90xx-yyzz



IP65 rated weatherproof housing



Remote/Local control & monitoring of ODU via optical Ethernet link or dual RJ45 connector



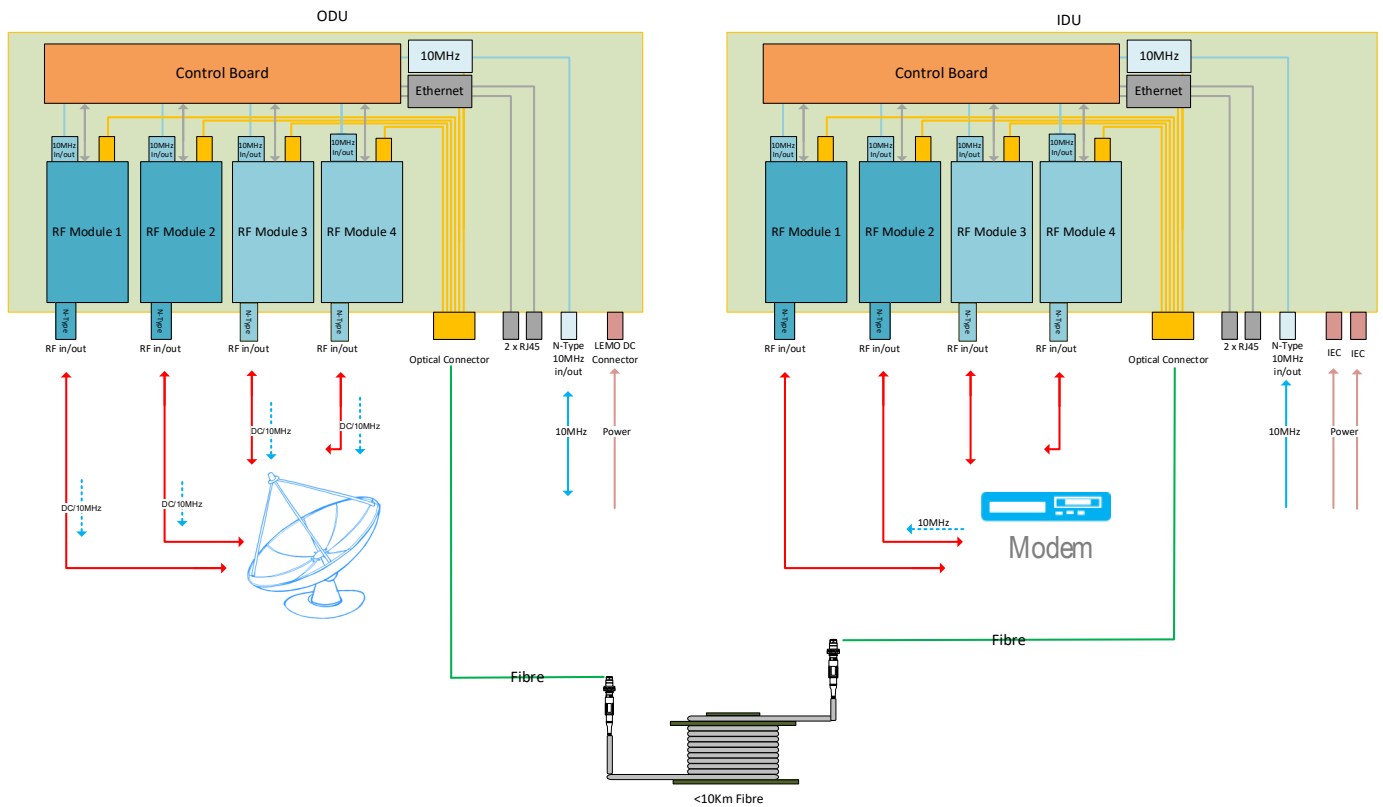
LNB Powering 13/18V, 500mA , 22kHz tone (LNB)



10 MHz Reference Output for supply to other equipment.



System Schematic
Summary showing available configs



Options

Configuration Options

RF channel config Options (Various Options covering 500 MHz to 3150 MHz available).
Single RX or Single TX
Dual RX or Dual TX
Quad RX or Quad TX
Single RX and Dual TX
Dual RX and Single TX
Dual RX and Dual TX
3x RX
3x TX

Other Options
Optical Ethernet
LNB Powering
Optical 10MHz
10MHz Ref output
CWDM Mux (Only available with IS connector)
Dual DC input on ODU
Optical Cross site cables
IP65 rated DC PSU for outdoor unit.

RF Connectors
N-Type (50 Ohm) - N5
SMA (50 Ohm) - S5

Optical Connectors
SC/APC - SA (IDU only)
Expanded Beam Mini - EBM
Senko IP SC/APC - IS (ODU only)
Neutrik Quad - NQ



Model Numbers Summary

Model Number	No. L-Band TX modules	No. L-Band RX modules	Frequency (MHz)	10MHz Module	IDU or ODU	Optical Ethernet	CWDM MUX	DC Inputs	RJ45 Ports
SRY-0T1R-9001-xxxx	0	1	850-2450	N/A	ODU	N	N	1	2
SRY-1T0R-9501-xxxx	1	0	850-2450	N/A	IDU	N	N	N/A	2
SRY-4T0R-9002-xxxx	4	0	850-2450	N/A	ODU	N	N	1	2
SRY-0T4R-9502-xxxx	0	4	850-2450	N/A	IDU	N	N	N/A	2
SRY-0T4R-9003-xxxx	0	4	850-2450	N/A	ODU	N	N	1	2
SRY-4T0R-9503-xxxx	4	0	850-2450	N/A	IDU	N	N	N/A	2
SRY-4T0R-9005-xxxx	4	0	850-2450	RX	ODU	Y	N	1	2
SRY-0T4R-9505-xxxx	0	4	850-2450	TX	IDU	Y	N	N/A	2
SRY-0T4R-9006-xxxx	0	4	850-2450	RX	ODU	Y	Y	1	2
SRY-4T0R-9506-xxxx	4	0	850-2450	TX	IDU	Y	Y	N/A	2
SRY-0T4R-9007-xxxx	0	4	850-2450	N/A	ODU	N	Y	1	2
SRY-4T0R-9507-xxxx	4	0	850-2450	N/A	IDU	N	Y	N/A	2
SRY-4T0R-9008-xxxx	4	0	850-2450	N/A	ODU	N	Y	1	2
SRY-0T4R-9508-xxxx	0	4	850-2450	N/A	IDU	N	Y	N/A	2
SRY-4T0R-9009-xxxx	4	0	850-2450	N/A	ODU	Y	Y	1	2
SRY-0T4R-9509-xxxx	0	4	850-2450	N/A	IDU	Y	Y	N/A	2
SRY-1T1R-9010-xxxx	1	1	850-2450	RX	ODU	Y	N	1	2
SRY-1T1R-9510-xxxx	1	1	850-2450	TX	IDU	Y	N	N/A	2
SRY-4T0R-9016-xxxx	4	0	500-3150	N/A	ODU	N	Y	1	2
SRY-0T4R-9017-xxxx	0	4	500-3150	N/A	ODU	N	Y	1	2

The above list is not exhaustive. Please enquire with ETL for other configurations not listed.

Model Number Generation

